



2023 PRODUCT BROCHURE



www.mesan.com.tr

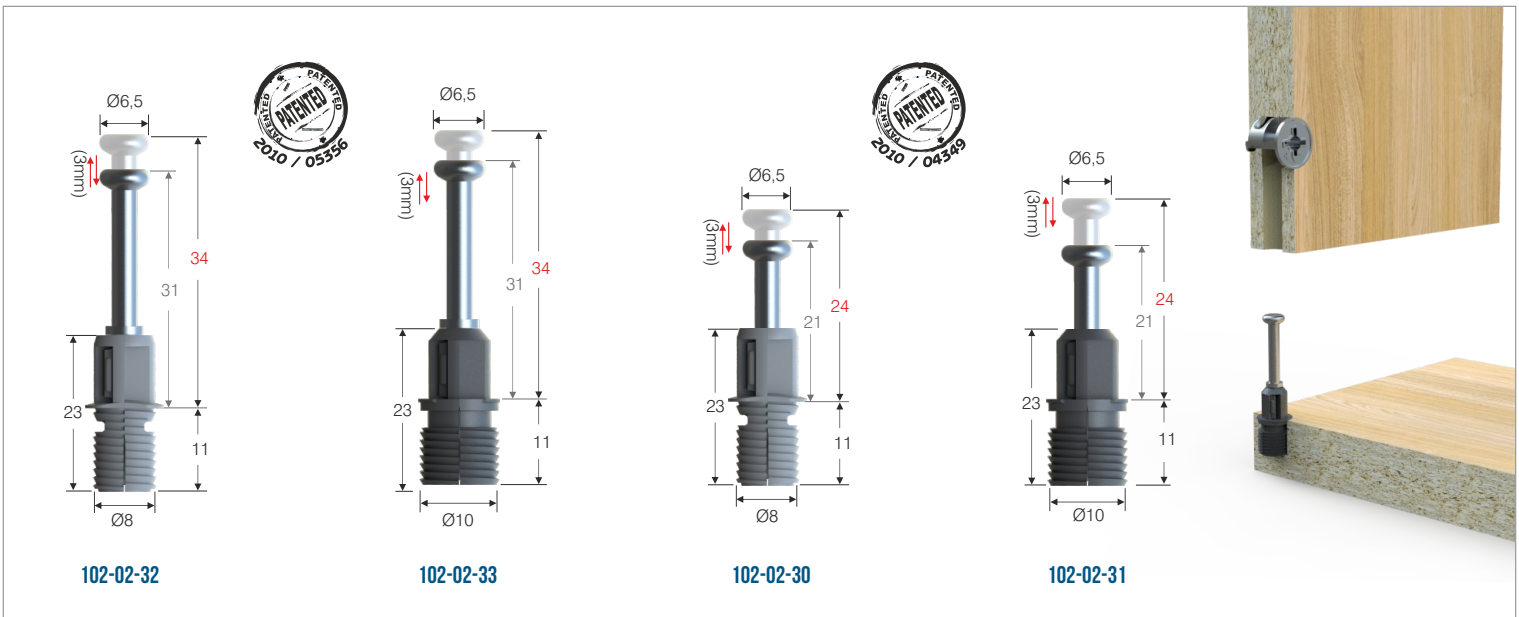
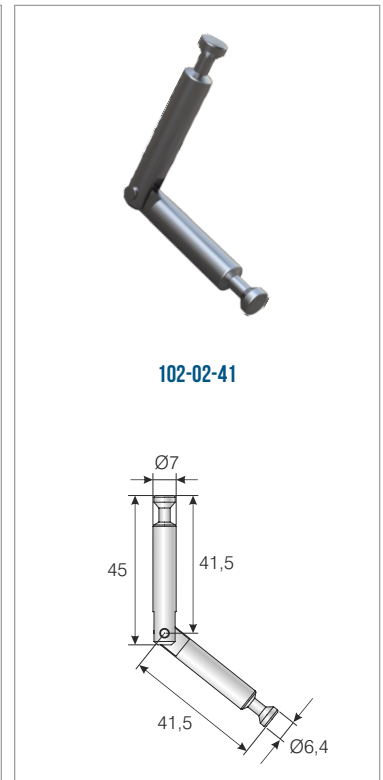
www.agencia-amk.pl

We design and manufacture
by planning our next move.



@mesanplastik

www.agencja-amk.pl





102-02-03



102-02-35



102-02-02



102-02-04



102-02-05



Pozidriv PZ2
Philips PH2



Pozidriv PZ2
Philips PH2



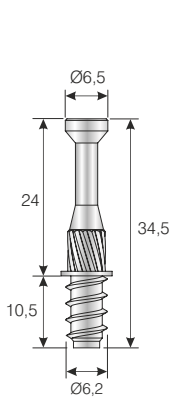
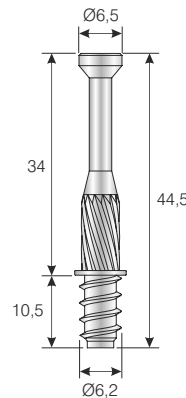
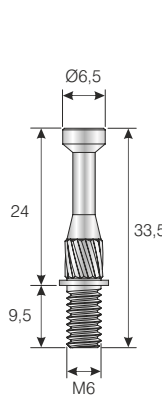
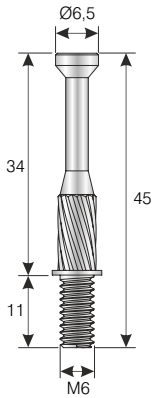
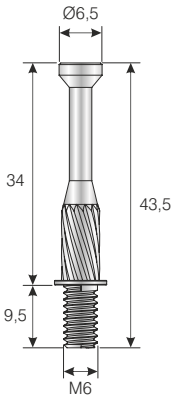
Pozidriv PZ2
Philips PH2



Pozidriv PZ2
Philips PH2



Pozidriv PZ2
Philips PH2



102-02-57



102-02-58



102-02-59



102-02-60



102-02-50



102-02-01



Pozidriv PZ2
Philips PH2



Pozidriv PZ2
Philips PH2



Pozidriv PZ2
Philips PH2



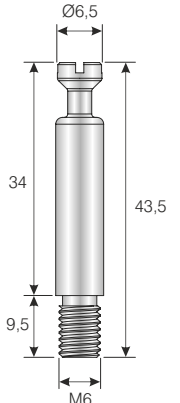
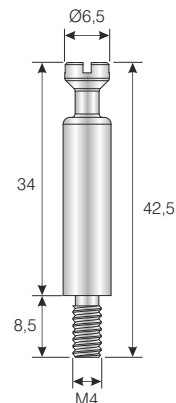
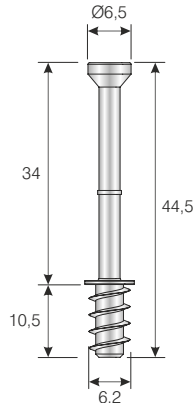
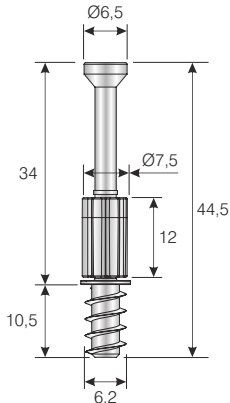
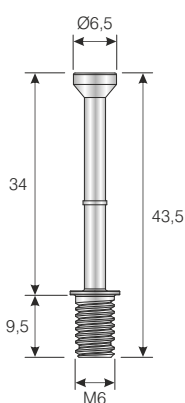
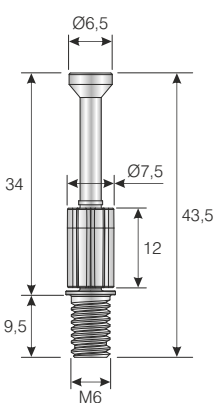
Pozidriv PZ2
Philips PH2

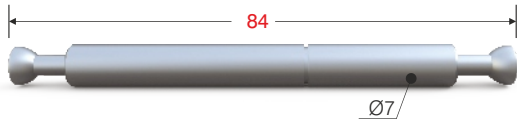


Pozidriv PZ2
Philips PH2

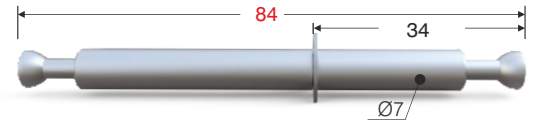


Pozidriv PZ2
Philips PH2

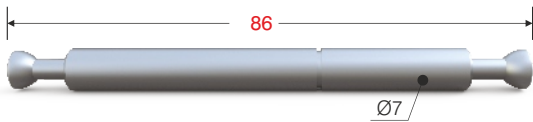
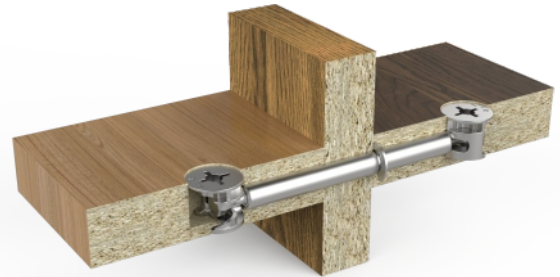




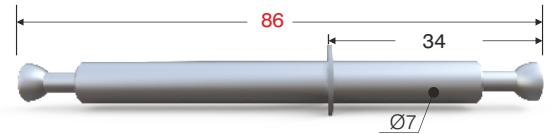
102-02-06



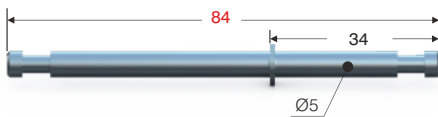
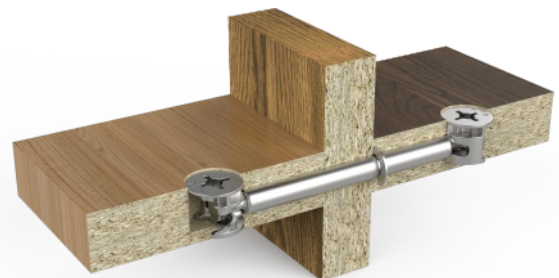
102-02-08



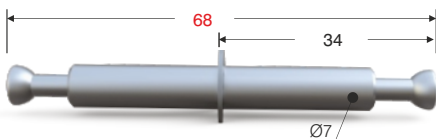
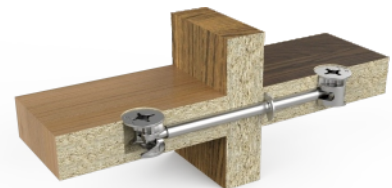
102-02-07



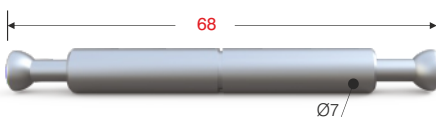
102-02-09



102-02-45

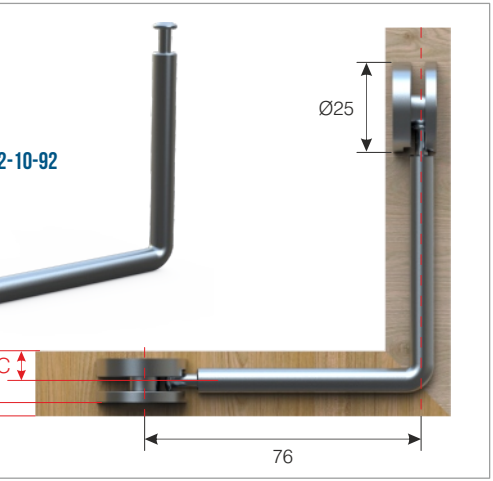
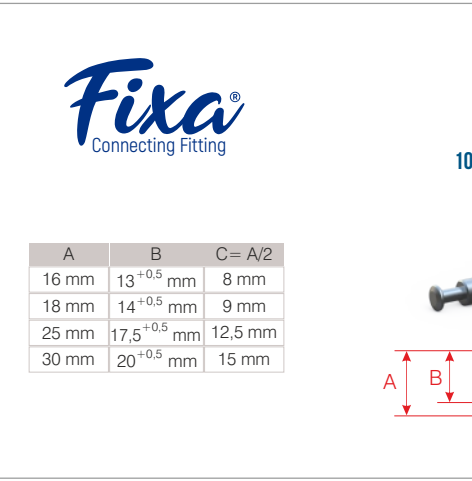
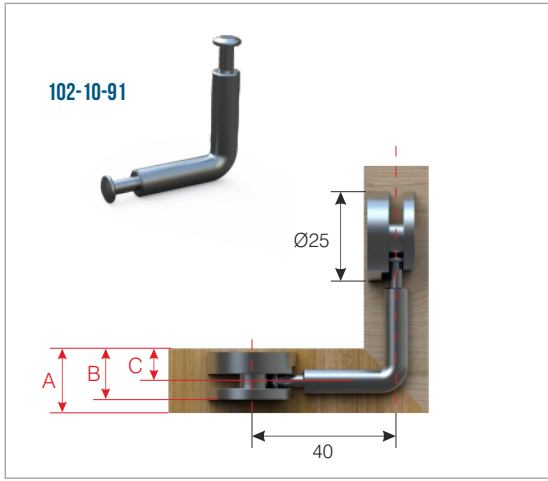
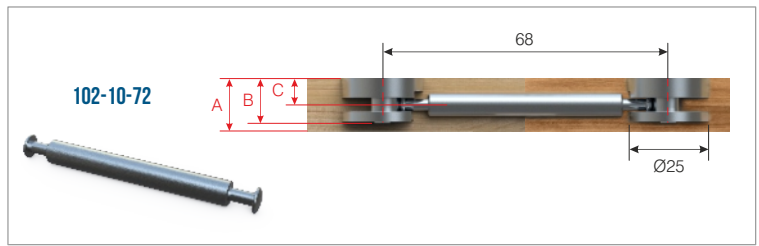
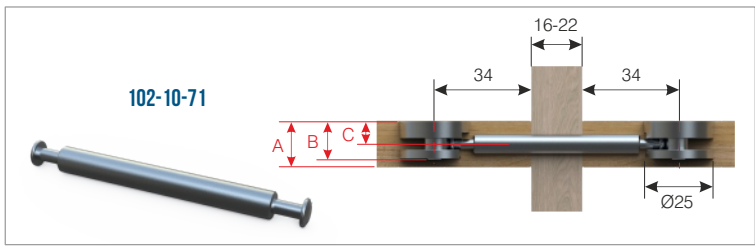
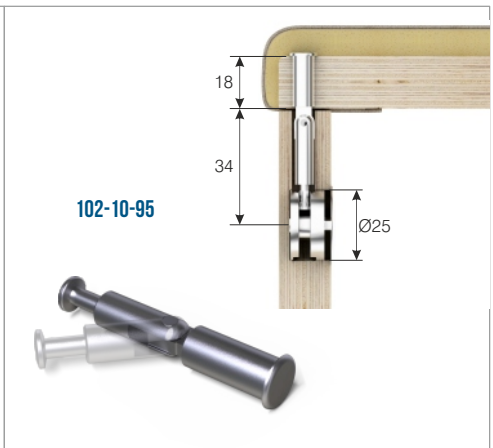
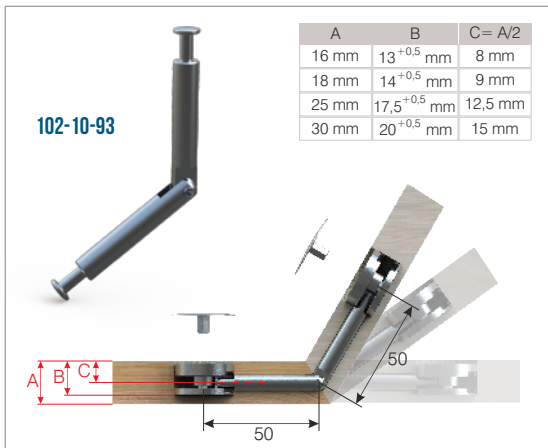
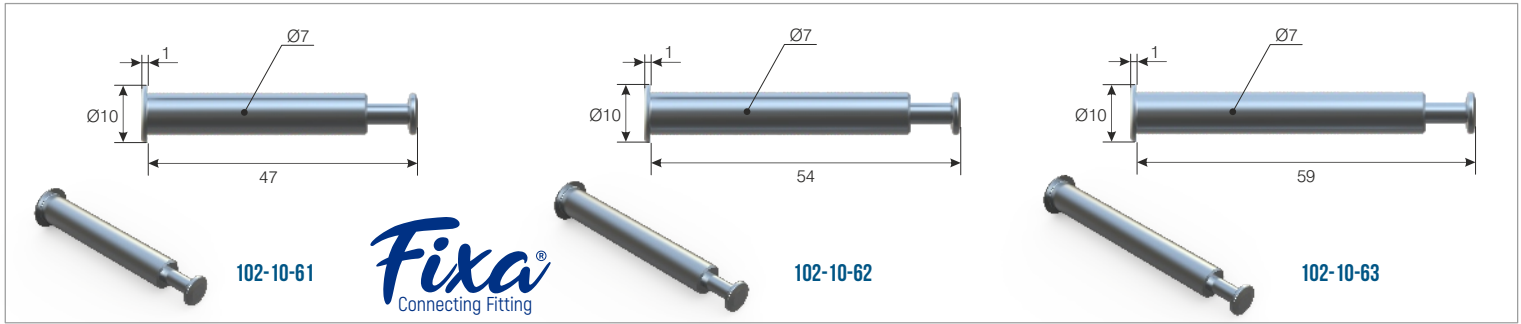
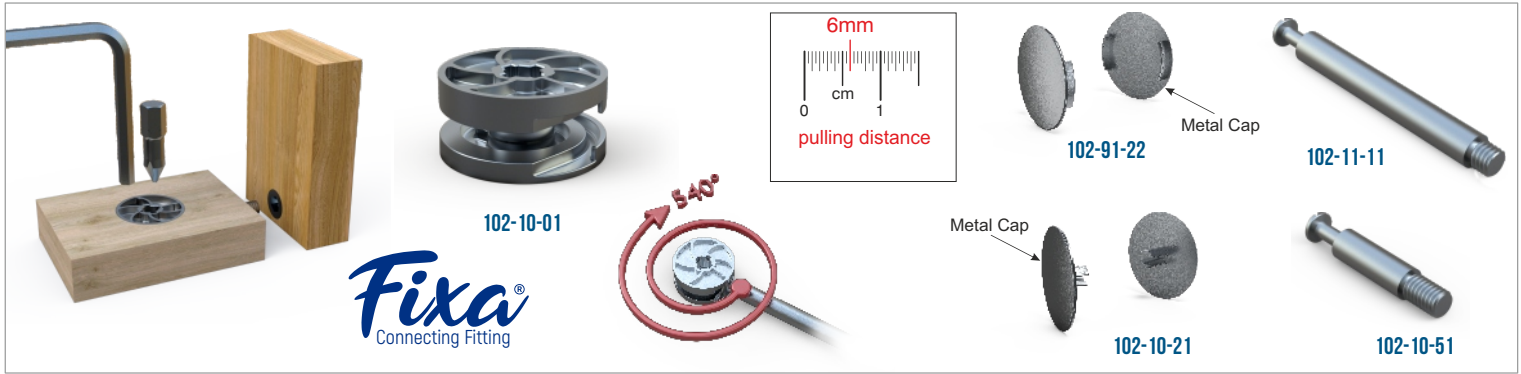


102-02-11



102-02-10





12MM PANEL KULLANMAK İSTEYENLERE

FOR WHO WANTS TO USE 12MM PANEL



WWW.MESAN.COM.TR
www.agencja-amk.pl

Connecting fittings for 12 mm panel

102-01-26

102-02-49

102-02-54

102-02-55

102-02-56

102-02-51

102-02-52

102-02-53

102-03-64

PZ2 / PH2

102-03-65

PZ2 / PH2


102-03-66

PZ2 / PH2

102-03-67

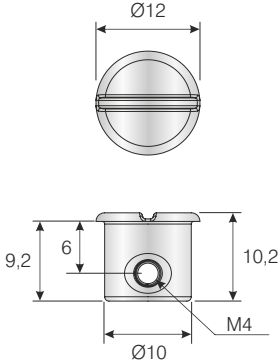
PZ2 / PH2


Connecting fittings for 12 mm panel



new

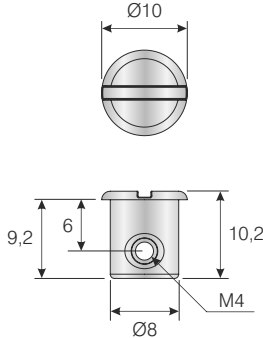
102-01-24






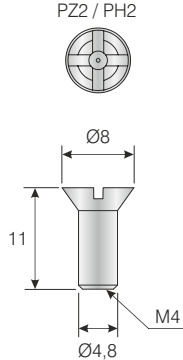
new


102-01-25



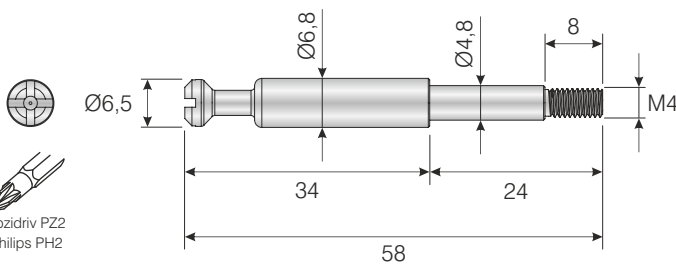


102-03-15






102-03-20



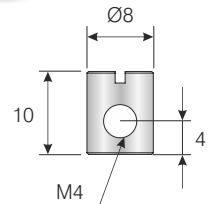
new


Pozidriv PZ2
Philips PH2

new

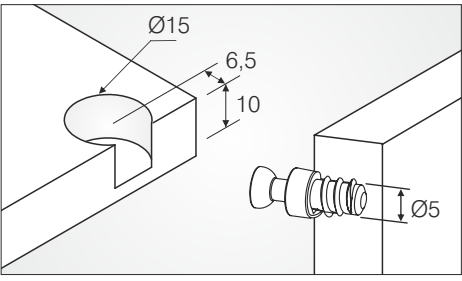



102-03-63



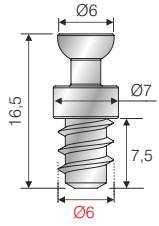



103-04-18



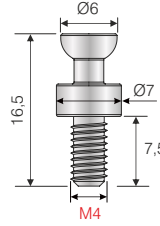



103-08-02
(Ø6x7,5)



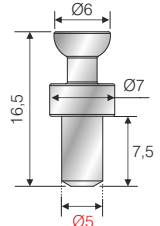


103-08-32
(M4x7,5)



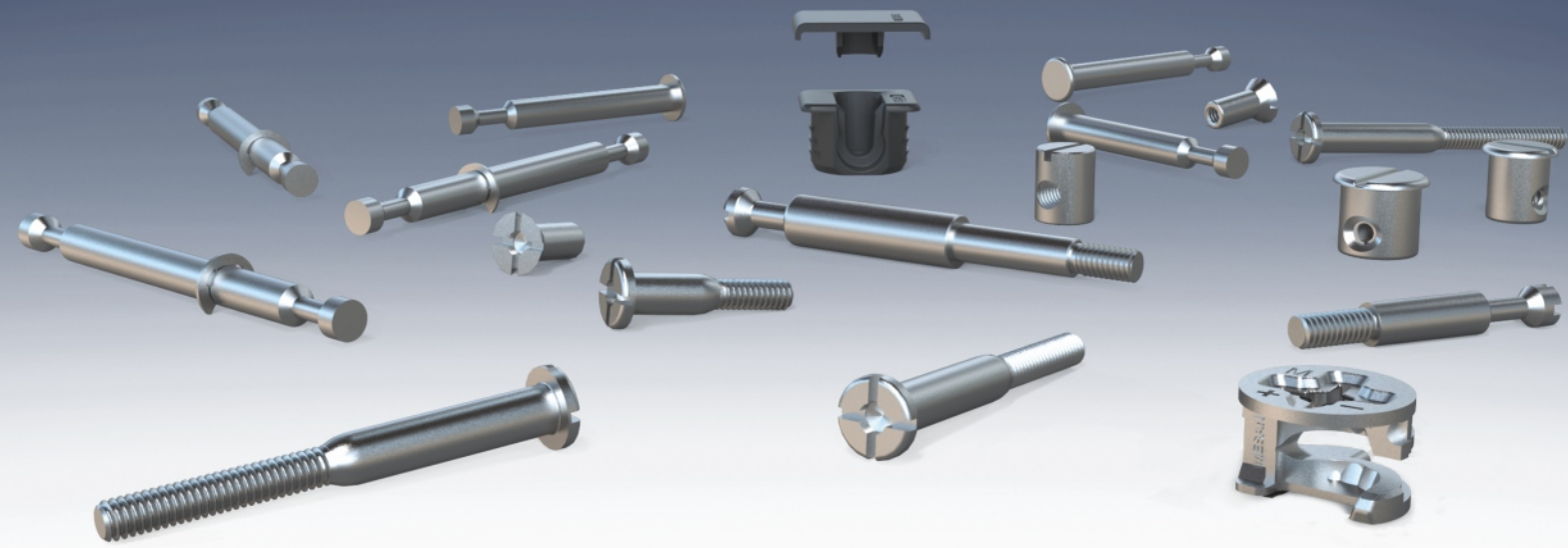


103-08-52
(Ø5x7,5)

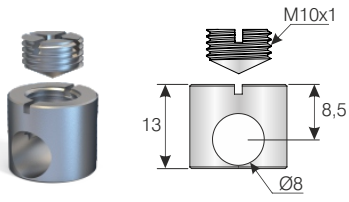




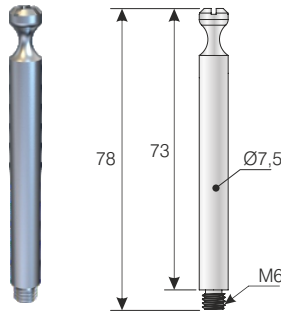
CONNECTING FITTING FOR 12 MM CHIPBOARD



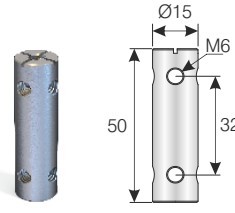
FORTEFIX



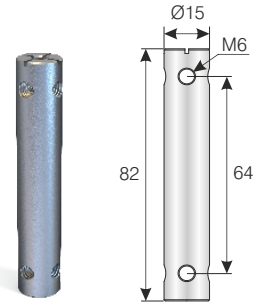
102-09-15



102-09-27



102-11-02



102-11-01



102-09-11
Ø15x12,5 mm



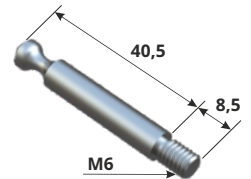
102-09-12
Ø15x13,5 mm



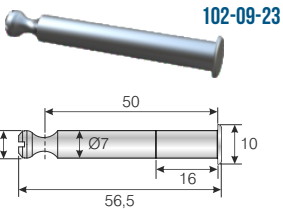
102-09-13
Ø15x17 mm



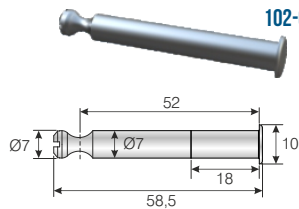
102-09-14
Ø15x19 mm



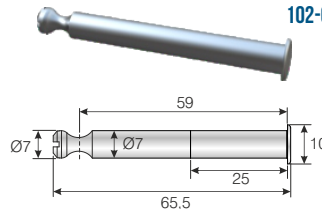
102-09-22



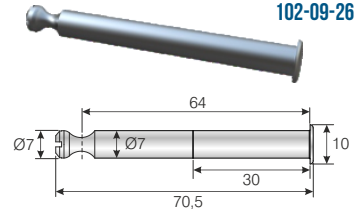
102-09-23



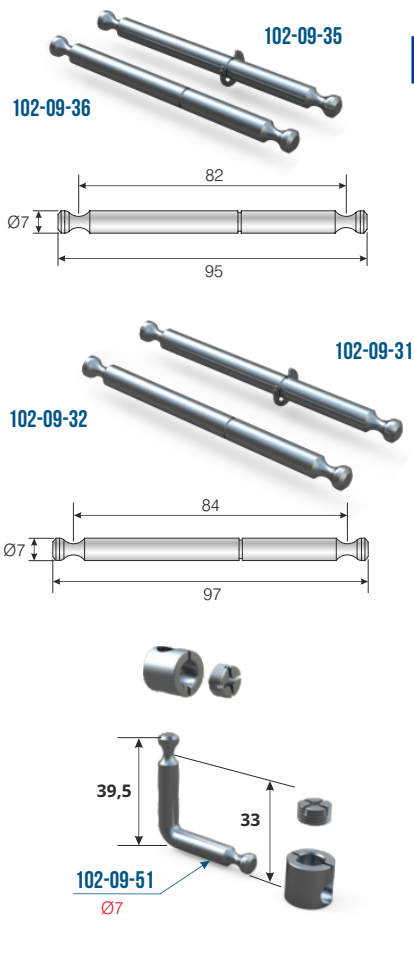
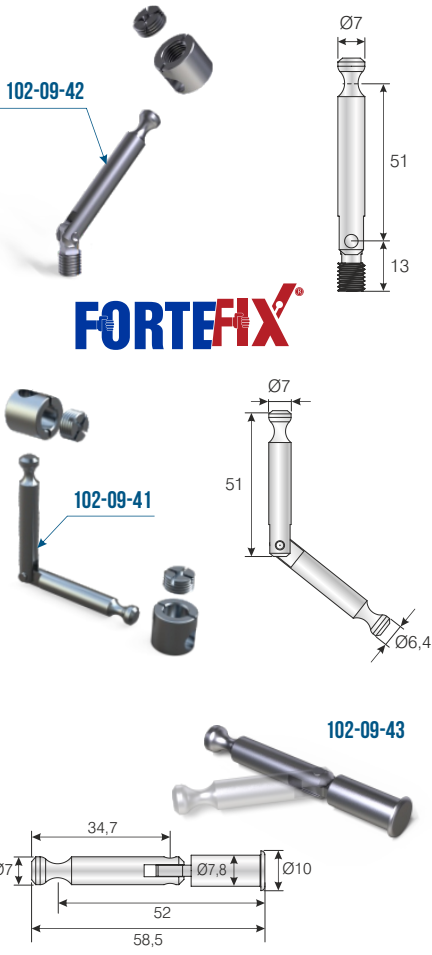
102-09-24



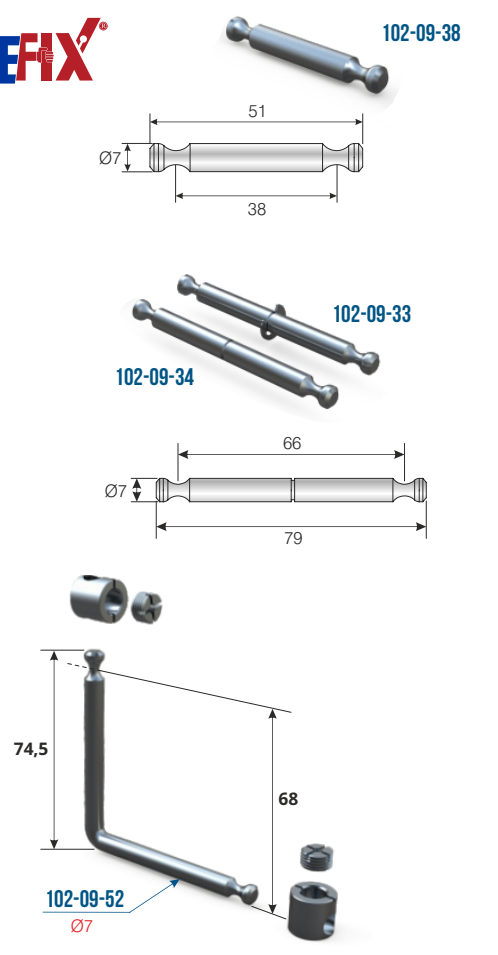
102-09-25



102-09-26



FORTEFIX



D-BELT

102-05-10
Ø10

102-05-11
Ø10

102-05-07
Ø5 x 9 mm

102-05-01
Ø5x13 mm

102-05-05
Ø8x10 mm M6

102-05-02
Ø8x13 mm M6

102-05-06
Ø10x10 mm M6

102-05-03
Ø10x13 mm M6

102-04-04
Ø8 x 13 mm M6

102-04-06
Ø8 x 13 mm M6

102-04-09
Ø8 x 10 mm M6

102-04-05
Ø8 x 13 mm M5

102-04-10
Ø8 x 13 mm M4

102-04-03
Ø10 x 13 mm M6

102-04-07
Ø10 x 16 mm M8

102-04-08
Ø13 x 17 mm M10

102-04-01
Ø8,5 x 16 mm M6

102-04-02
Ø8 x 16 mm M6

102-04-13
Ø8 x 16 mm M6

103-02-19

103-02-20
Plastic

102-01-16

102-01-12

102-01-13

102-06-06
Ø8x30x30 mm

102-06-01
Ø5x30 mm

102-06-02
Ø8x32 mm

102-06-03
Ø8x30 mm

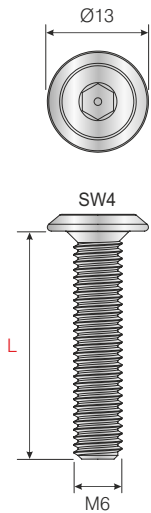
102-06-04
Ø8x35 mm

102-04-51
Ø5

102-04-52
Ø6

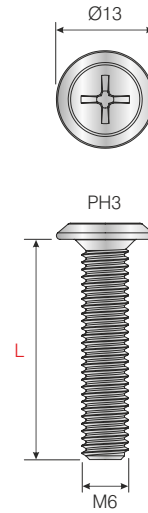
102-04-54
Ø6


M6 ALLEN HEAD SW4 CYLINDER COMPRESSION SCREW





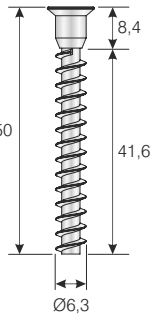


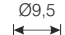
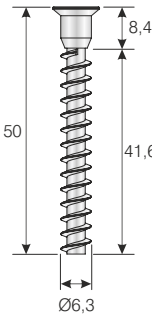



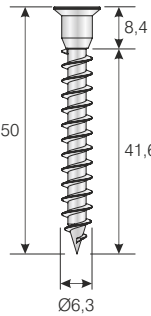



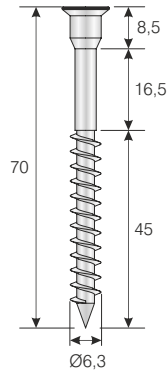



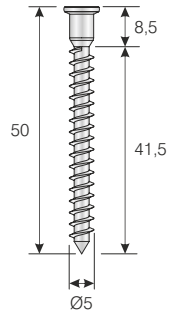

-  110-05-08 L: 15mm
-  110-05-09 L: 20mm
-  110-05-29 L: 25mm
-  110-05-10 L: 30mm
-  110-05-11 L: 35mm
-  110-05-12 L: 40mm
-  110-05-34 L: 45mm
-  110-05-13 L: 50mm
-  110-05-30 L: 55mm
-  110-05-14 L: 60mm
-  110-05-52 L: 65mm
-  110-05-15 L: 70mm
-  110-05-16 L: 80mm
-  110-05-17 L: 90mm
-  110-05-72 L: 120mm



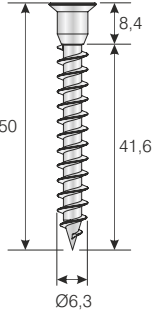
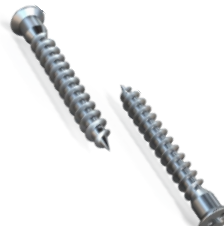


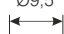
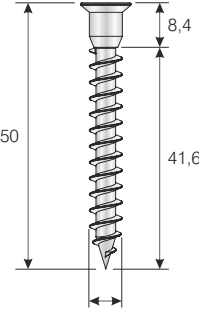



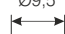
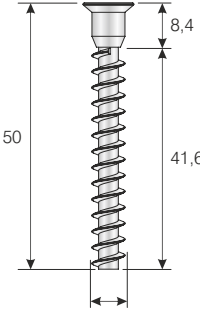




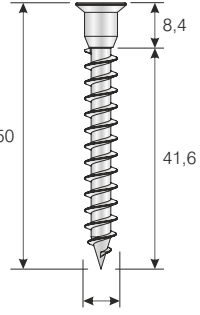
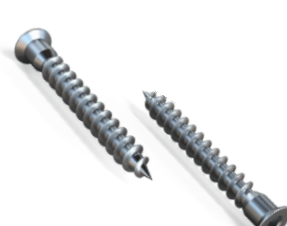



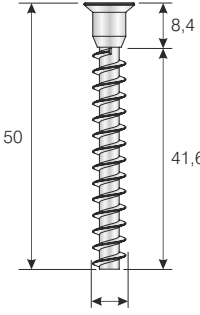
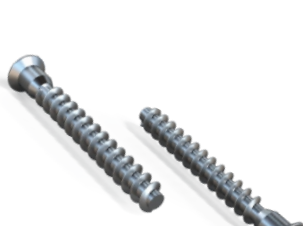
M6 PH3 CYLINDER COMPRESSION SCREW

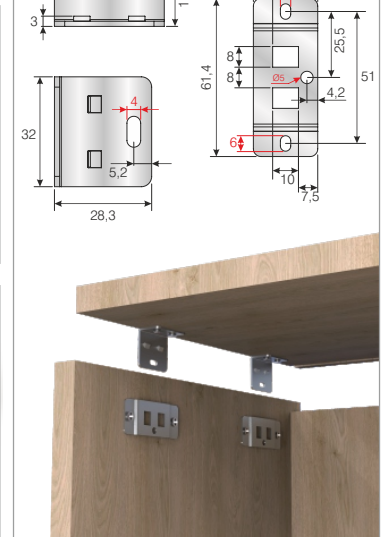
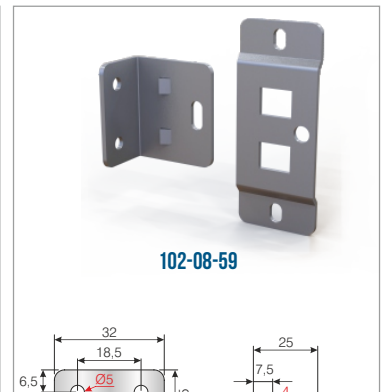
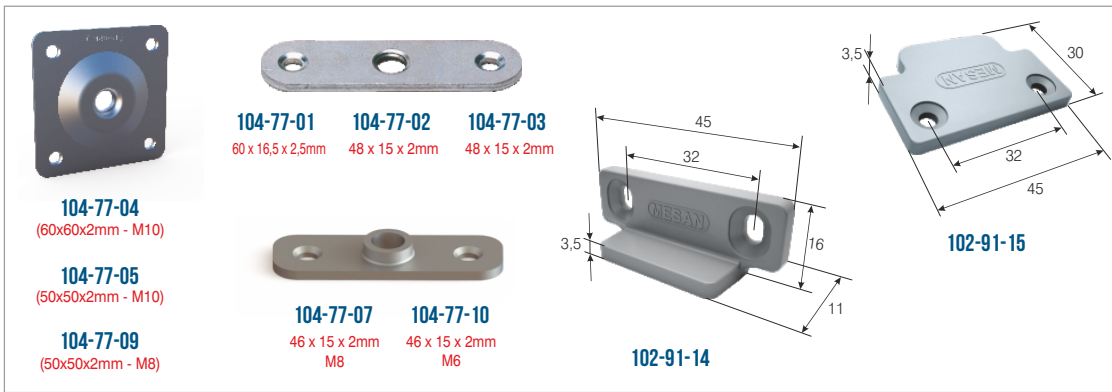
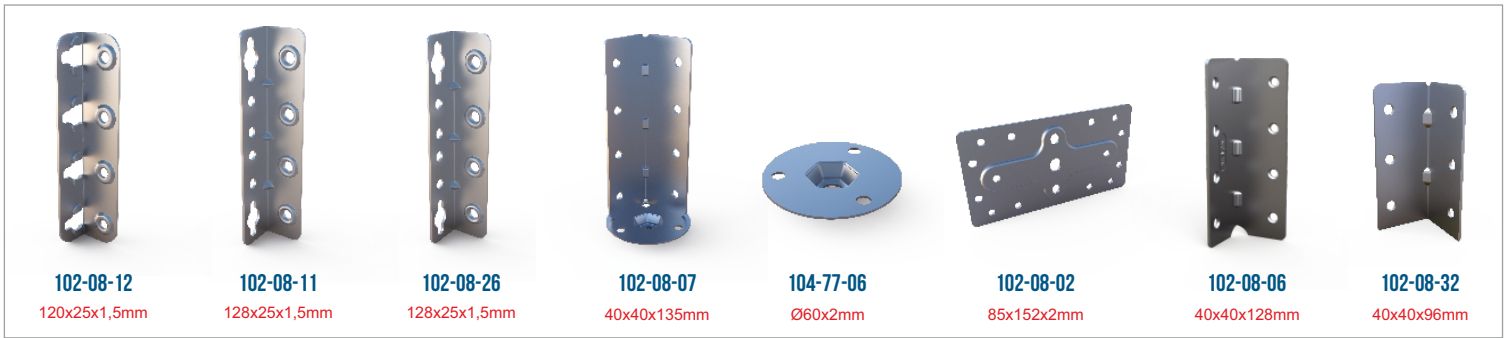


-  110-25-15 L: 15mm
-  110-25-20 L: 20mm
-  110-25-25 L: 25mm
-  110-25-30 L: 30mm
-  110-25-35 L: 35mm
-  110-25-40 L: 40mm
-  110-25-50 L: 50mm
-  110-25-60 L: 60mm
-  110-25-70 L: 70mm
-  110-25-80 L: 80mm
-  110-25-90 L: 90mm
-  110-25-12 L: 120mm

CABINET SCREWS

 Pozidriv PZ2 Philips PH2   110-05-45 	 Sw4 Allen   110-05-19 	 Sw4 Allen   110-05-20 	 Sw4 Allen   110-05-47 	 Sw3 Allen   110-05-83 
--	--	--	---	--

 Pozidriv PZ2 Philips PH2   110-05-18 	 Pozidriv PZ2 Philips PH2    110-55-03 	 Pozidriv PZ2 Philips PH2    110-55-05 	 Sw4 Allen    110-55-02 	 Sw4 Allen    110-55-01 
---	--	--	--	--



BEDSET HEADBOARD FIXING



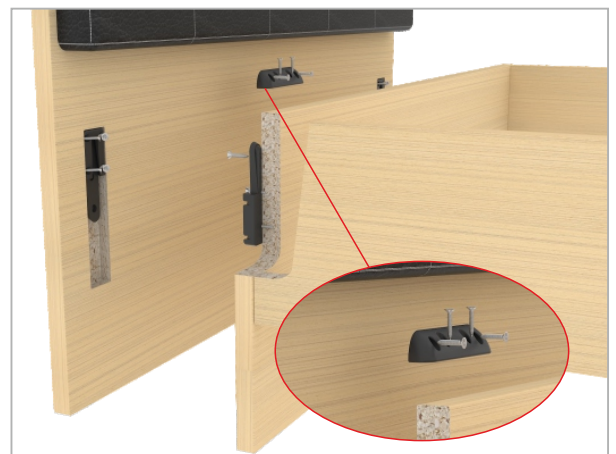
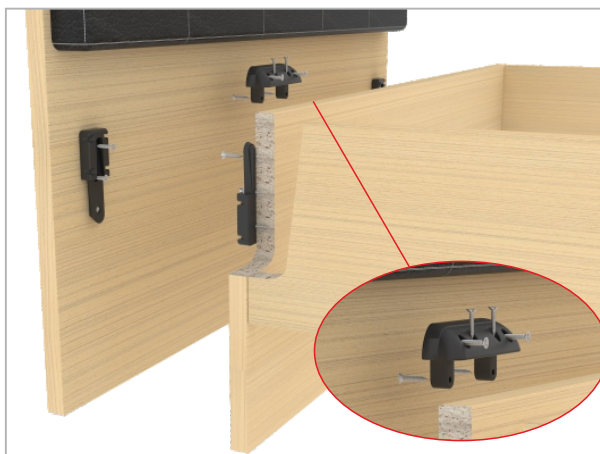
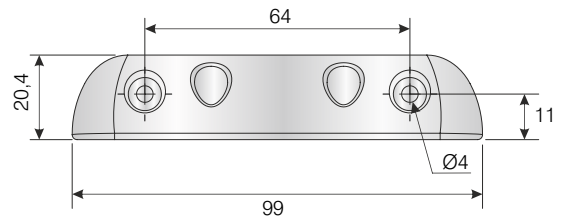
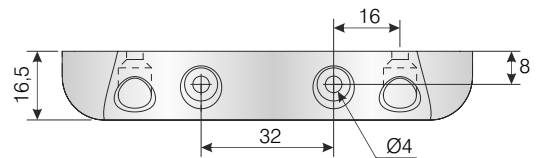
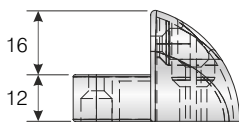
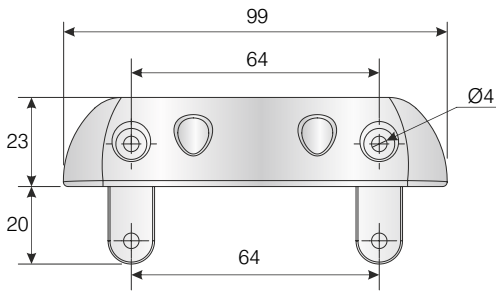
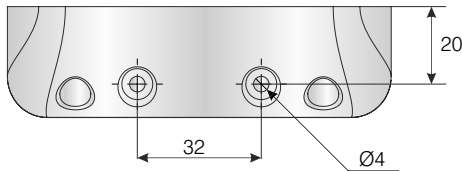
102-08-64



BEDSET HEADBOARD FIXING (POCKET APPLICATION)



102-08-65

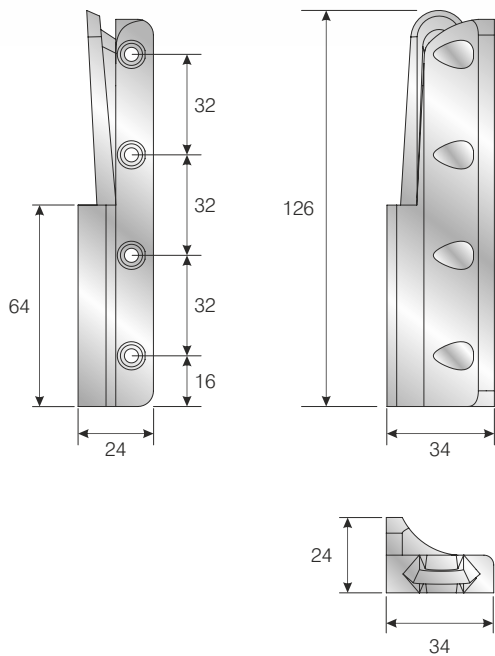


BEDSET SLIDE CORNER FIXING 126 MM

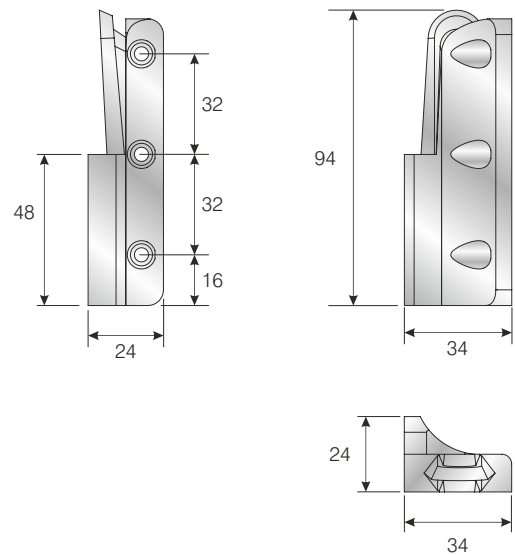
BEDSET SLIDE CORNER FIXING 94 MM



102-08-66



102-08-67



102-08-61



102-08-62



BEDSET SLIDE FIXING 126 MM



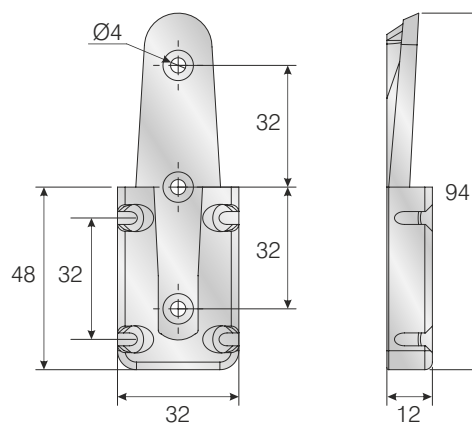
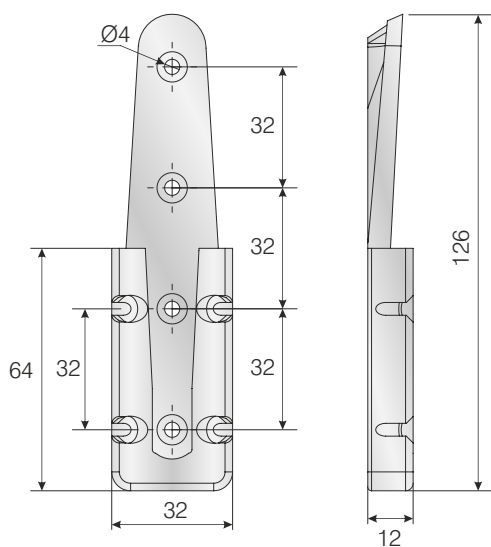
102-08-61



BEDSET SLIDE FIXING 94 MM



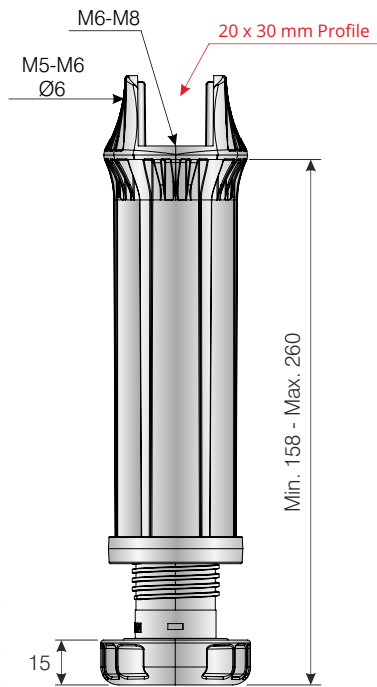
102-08-62



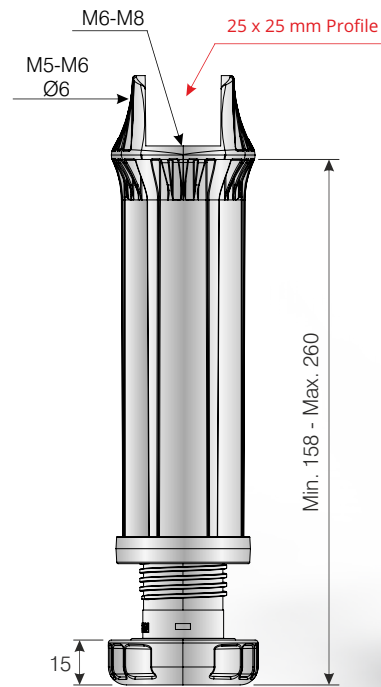
Metal Plate and Corner Plate

<p>102-08-33</p>	<p>102-08-34</p>	<p>102-08-35</p>	<p>102-08-36</p>	<p>102-08-37</p>
<p>102-08-38</p>	<p>102-08-39</p>	<p>102-08-40</p>	<p>102-08-41</p>	<p>102-08-42</p>
<p>102-08-43</p>	<p>102-08-44</p>	<p>102-08-45</p>	<p>102-08-46</p>	
<p>102-08-47</p>	<p>102-08-48</p>	<p>102-08-49</p>	<p>102-08-50</p>	

Linefix Support foot



104-01-47
M6
20 x 30 mm Profile



104-01-49
M6
25 x 25 mm Profile



Load capacity 350 kg



102-08-29



104-01-42



104-01-44



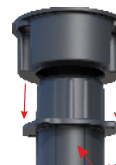
104-01-37



104-01-39



104-01-46



104-01-39



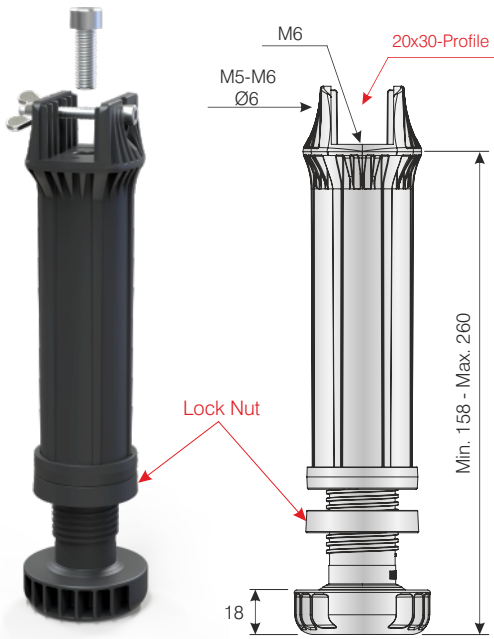
104-01-38
104-01-43



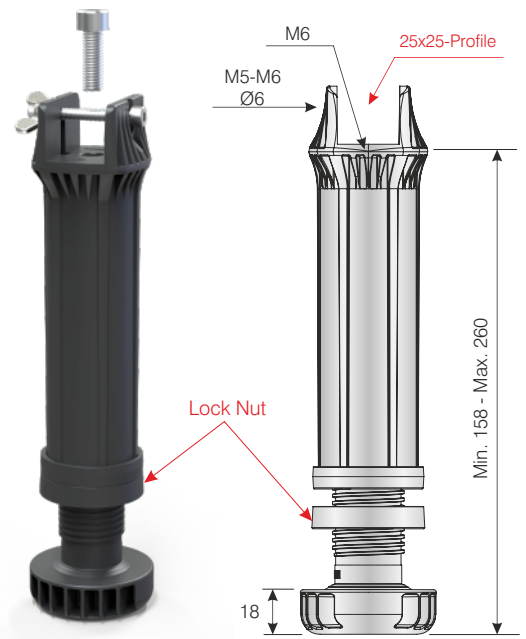
104-01-41

Load capacity 350 kg

Linefix Support foot for metal crossbar lock nut



104-01-92
M6
20 x 30 mm Profile



104-01-93
M6
25 x 25 mm Profile

Load capacity 400 kg

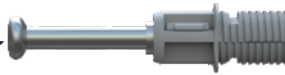
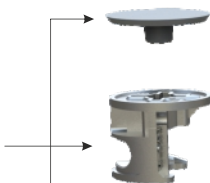


Pingo tuning fix
lock nut

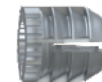


102-01-71
18mm

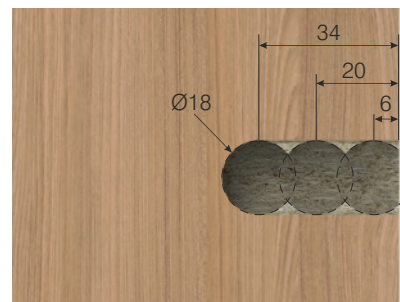
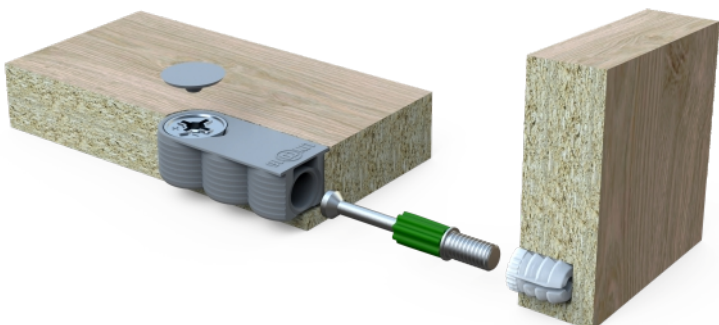
102-01-72
16mm



Ø10 X 13 - M6



Ø8 X 13 - M6



103-04-14

103-08-75 **103-08-74** **103-08-73** **103-08-72** **103-08-71**

Ø 5mm Ø 5mm Ø 5mm

110-08-07
5mm Allen key

102-01-08

102-91-19

Ø20mm

103-04-20 **103-04-20**
16mm 18mm

Ø20mm

103-04-05 **103-04-07**
16 mm 18 mm

Ø20mm

103-04-09 **103-04-10**
16 mm 18 mm

Ø20mm

103-04-11 **103-04-12**
16 mm 18 mm

103-08-03 (M6x9) **103-08-01** (Ø6x11) **103-08-02** (Ø6x7,5) **103-08-32** (M4x7,5) **103-08-31** (Ø4x11) **103-08-51** (Ø5x11) **103-08-52** (Ø5x7,5) **103-08-54** (Ø3x7,5) **103-08-53** (Ø3x11)

102-02-18 **102-02-19**

102-02-20 **102-02-21**

102-02-22 **102-02-46** **102-08-32**

102-91-18

Ø15 mm
103-04-13

Ø20mm

103-04-03 **103-04-04**
16 mm 18 mm

103-08-04 **103-08-05** **103-08-06**
Ø6 x 7,5 mm Ø6 x 11 mm M6 x 9 mm

Shelf Support

103-05-01 103-05-02 103-05-11 103-05-09
103-05-10 103-05-07
103-05-08

Load capacity 75 kg / m²

103-02-01 103-02-02 103-02-17 103-02-12 Ø5 mm
103-02-13 Ø3 mm 103-02-14 Ø5 mm
103-02-15 Ø3 mm 103-02-06 103-02-07

103-02-05
Ø5x17 mm 103-01-10
Ø5x16,5 mm

103-01-12 103-01-14

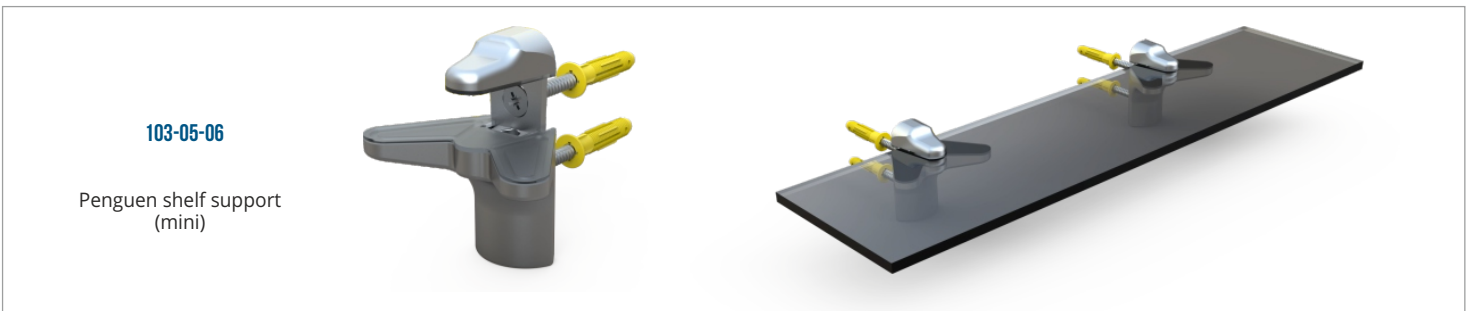
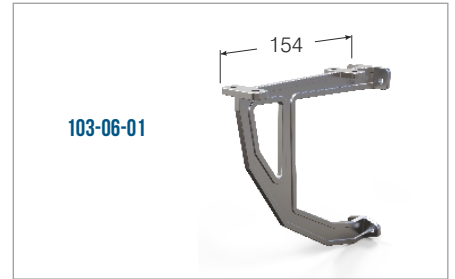
103-01-13 103-01-11

103-02-09 103-01-16 103-01-04 Ø5
103-01-07 Ø6 103-01-06 103-01-03 103-01-08

103-01-15 Ø5 mm 103-02-10 Ø5 mm
103-02-11 Ø6 mm 103-01-05 Ø5 mm 103-02-16 Ø3 mm
103-03-10 Ø7 x M4 103-02-03 Ø5x17,5 mm
103-02-04 Ø5x22,5 mm

103-03-13 Ø5 mm 103-03-11 Ø3 mm 103-03-14 M4 102-04-51
103-03-12 Ø4 mm 103-03-03 103-03-15 M4

Shelf Support



Hector Plinth Foot



Plinth top section



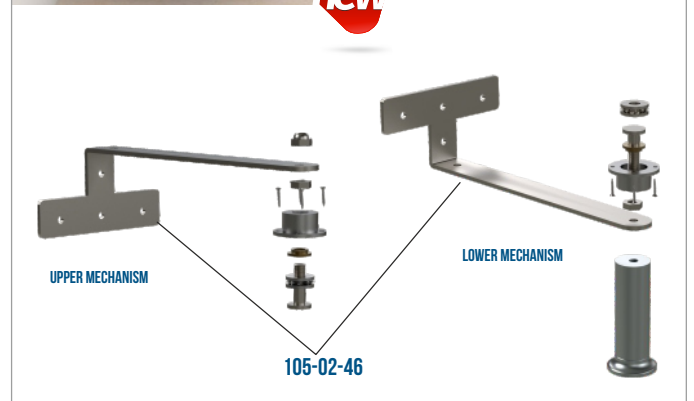
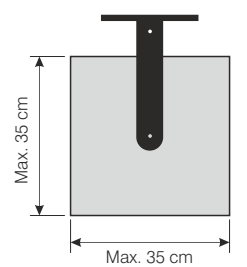
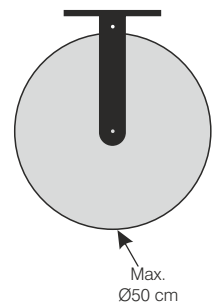
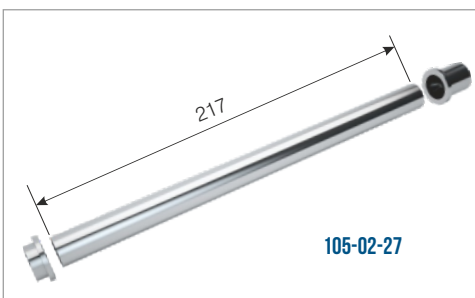
Base Feet



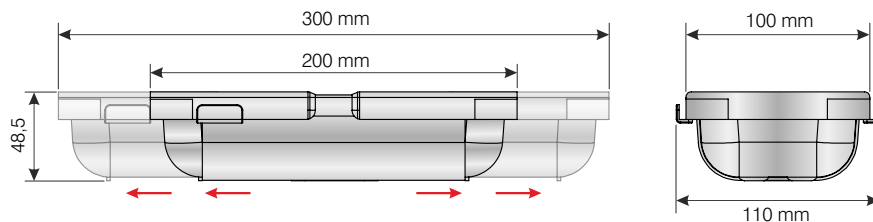
Plinth brackets



Myra feet



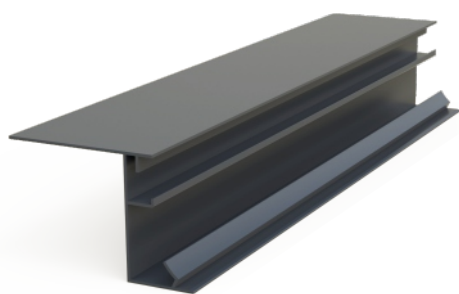
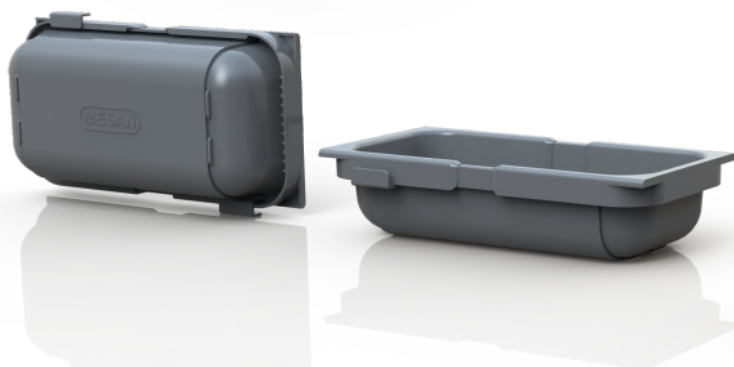
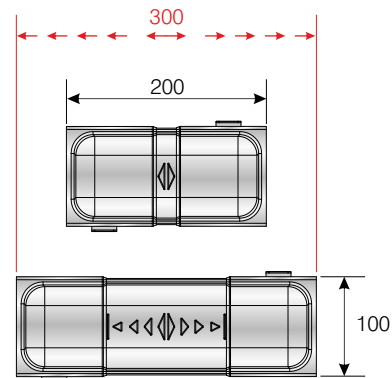
FREETRAY



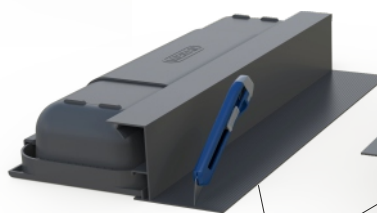
105-81-13
FREETRAY 1



Scan Code for
Product Video.



105-81-15



105-81-15

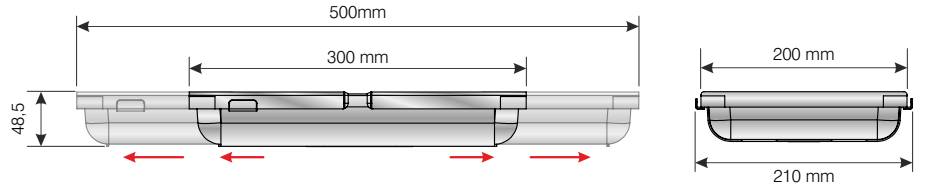


105-81-13



105-81-15

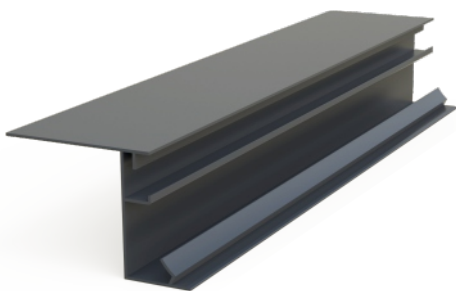
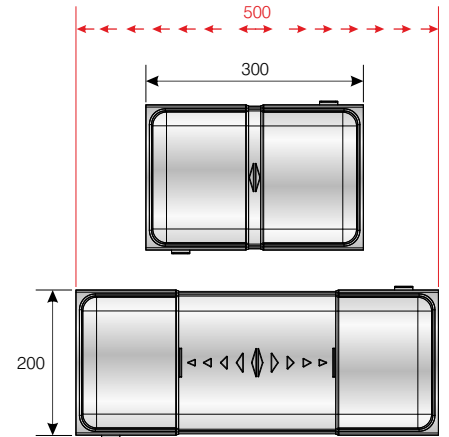
FREETRAY



105-81-14
FREETRAY 2



Scan Code for
Product Video.



105-81-15



105-81-15



105-81-14



105-81-15



TRAY BOND®

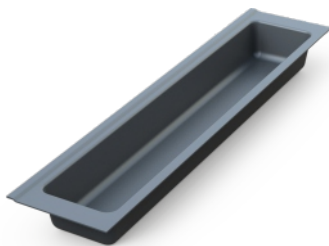
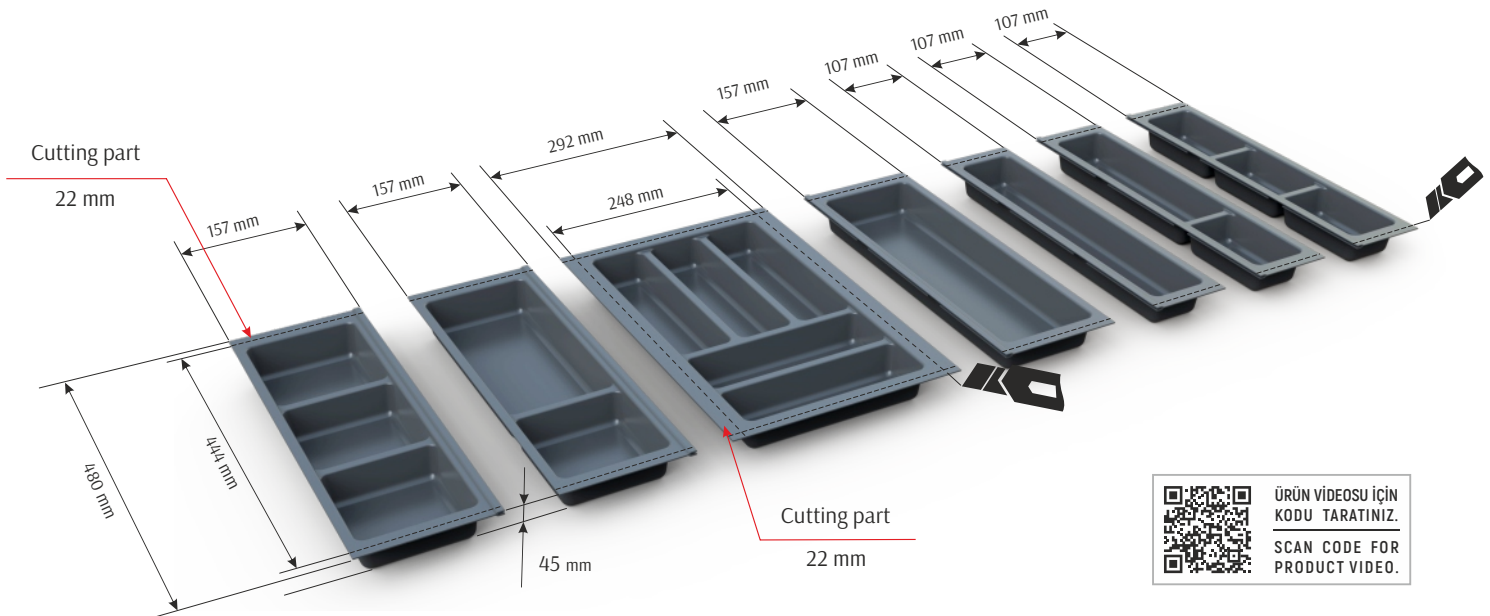
Kitchen Furniture Product Family



new

TRAY BOND[®]

Cutlery Tray



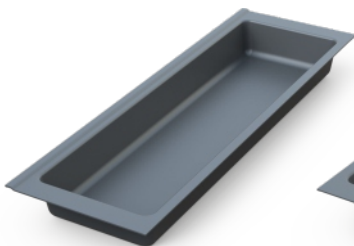
105-83-01



105-83-02



105-83-03



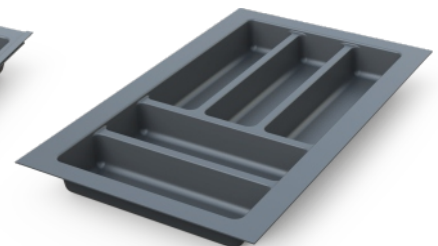
105-83-04



105-83-05



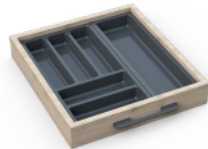
105-83-06



105-83-07



105-83-08
for module 45



105-83-09
for module 50



105-83-71
for module 55



105-83-10
for module 60



105-83-72
for module 65



105-83-11
for module 70



105-83-73
for module 75



105-83-12
for module 80



105-83-74
for module 85



105-83-13
for module 90



105-83-75
for module 95



105-83-14
for module 100



105-83-76
for module 105



105-83-15
for module 110



105-83-77
for module 115



105-83-16
for module 120



105-83-78
for module 125



105-83-39
for module 135



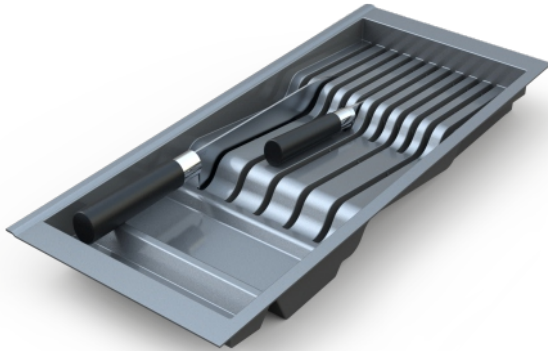
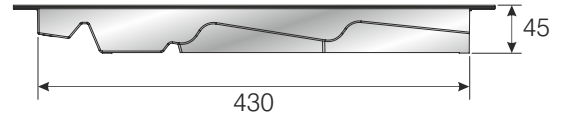
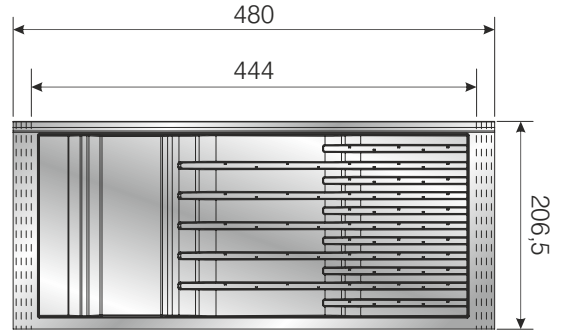
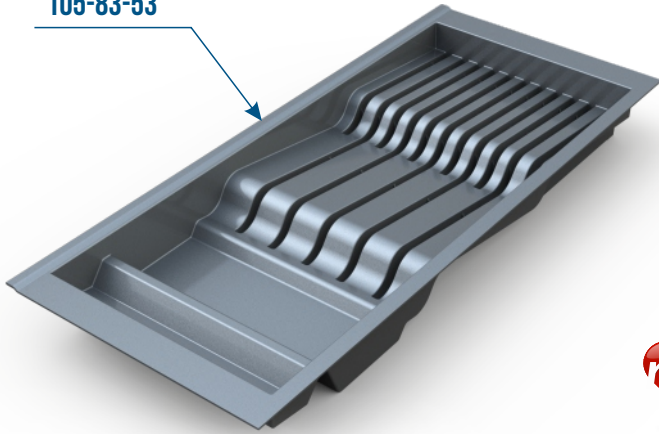
ÜRÜN VIDEOSU İÇİN
KODU TARATINIZ.
SCAN CODE FOR
PRODUCT VIDEO.

TRAY BOND[®]

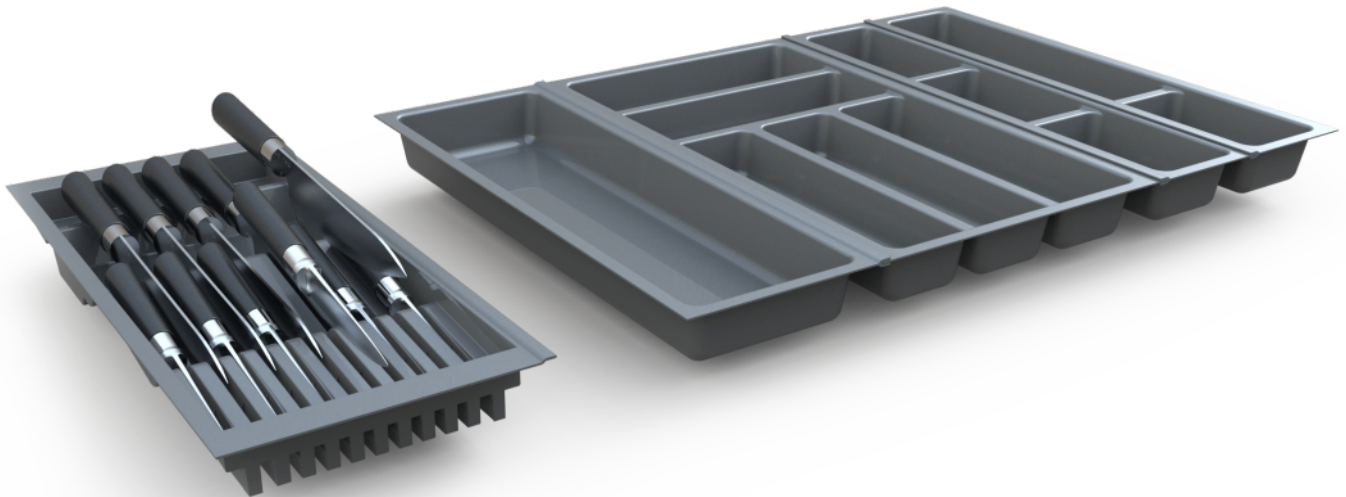
Knife Tray

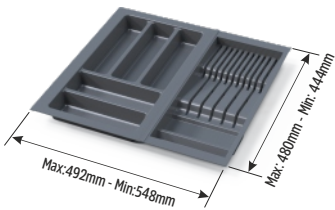


105-83-53

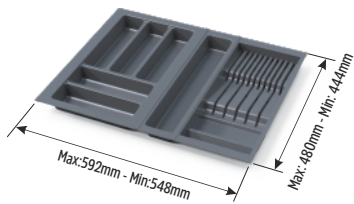


- Knife tray holds up to 5 big and 6 small knives.

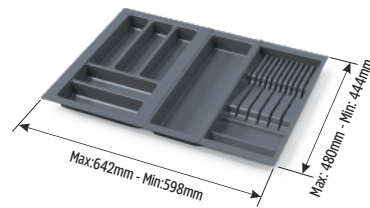




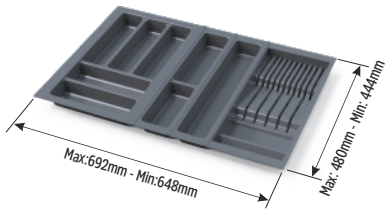
105-83-31
for module 50



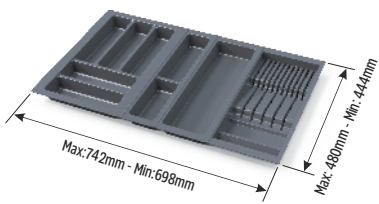
105-83-32
for module 65



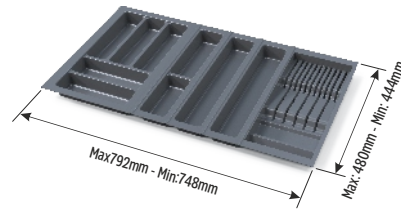
105-83-21
for module 70



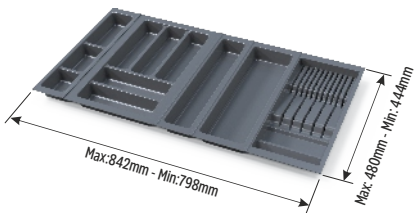
105-83-33
for module 75



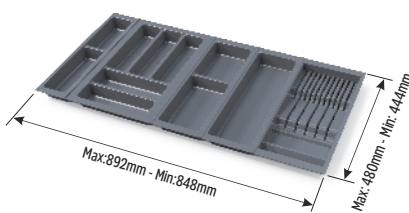
105-83-22
for module 80



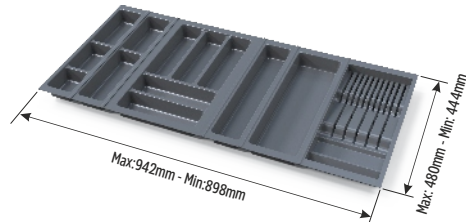
105-83-34
for module 85



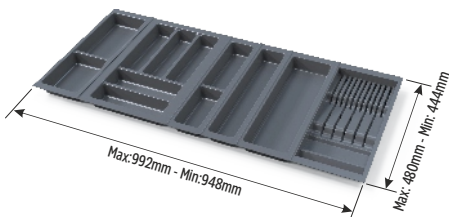
105-83-23
for module 90



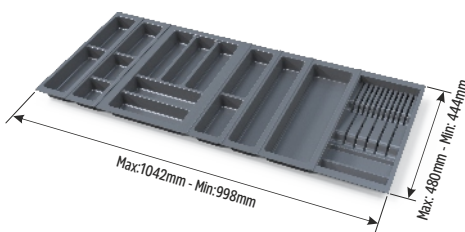
105-83-35
for module 95



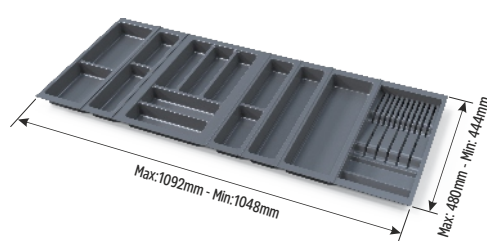
105-83-24
for module 100



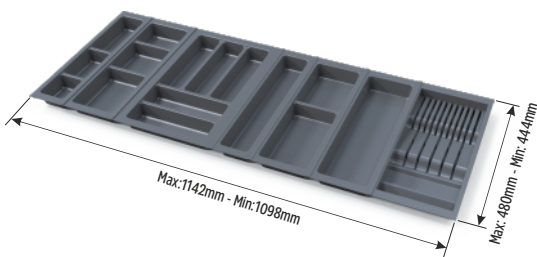
105-83-36
for module 105



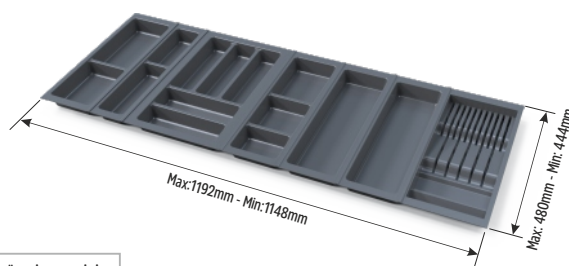
105-83-25
for module 110



105-83-37
for module 115



105-83-26
for module 120



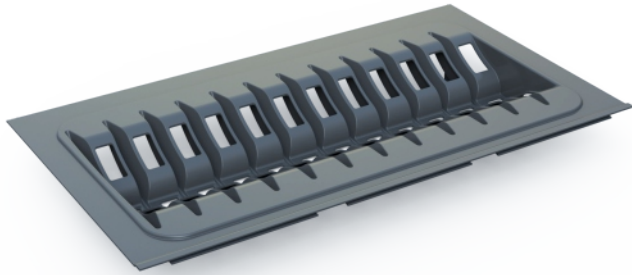
105-83-38
for module 125



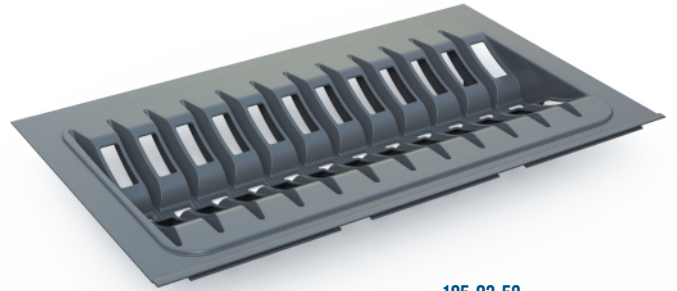
ÜRÜN VİDEOSU İÇİN
KODU TARATINIZ.
SCAN CODE FOR
PRODUCT VIDEO.

TRAY BOND[®]

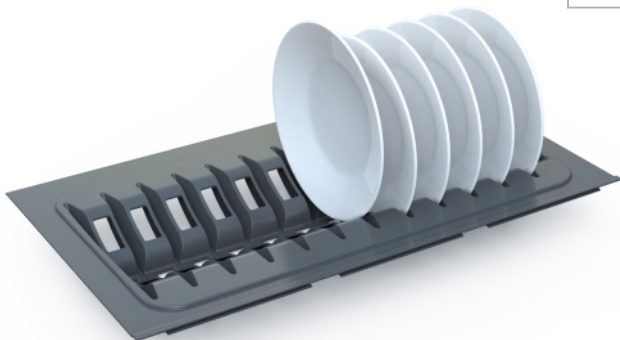
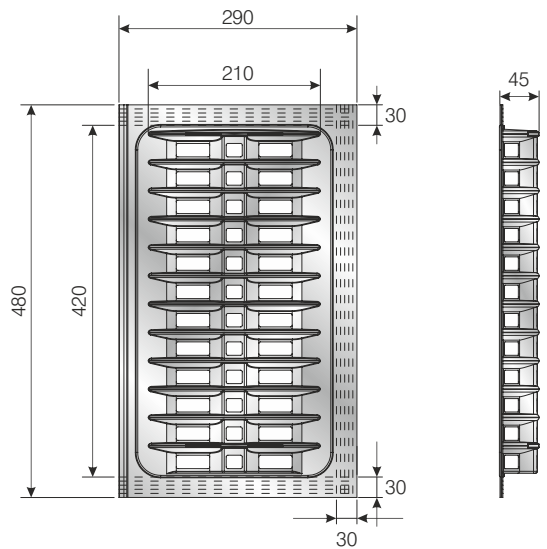
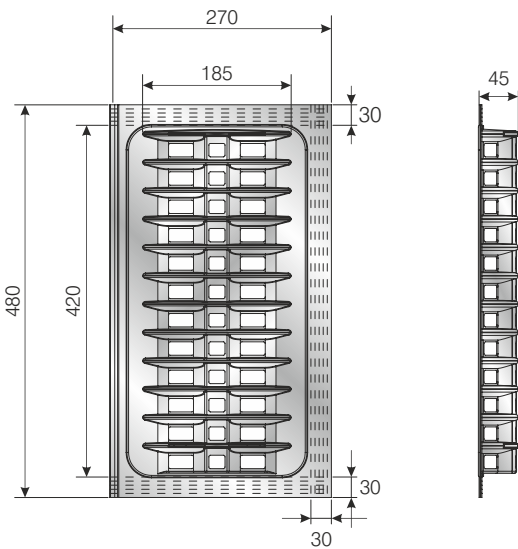
Plate Holder



105-83-51
270 mm



105-83-52
290 mm



ORDER CODE	270 MODULE	290 MODULE
105-83-61	x 2	
105-83-62	x 1	x 1

for module 60



ORDER CODE	270 MODULE	290 MODULE
105-83-63	x 3	

for module 80



ORDER CODE	270 MODULE	290 MODULE
105-83-64	x 1	x 2
105-83-65	x 2	x 1
105-83-66		x 3

for module 90



ORDER CODE	270 MODULE	290 MODULE
105-83-67	x 2	x 2

for module 110



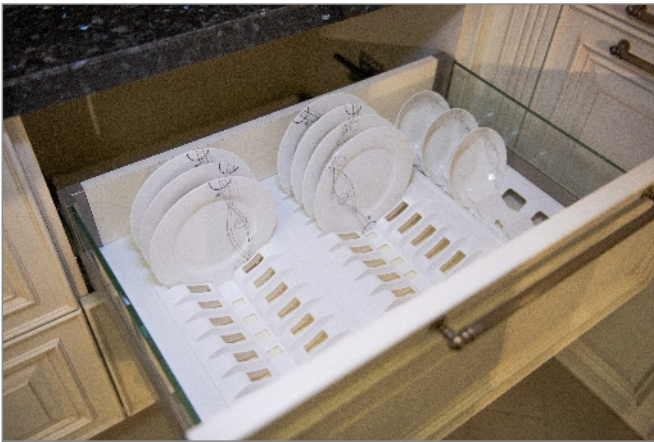
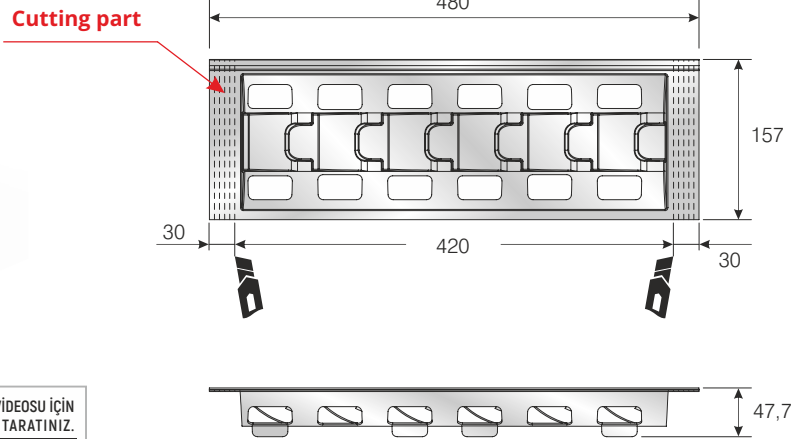
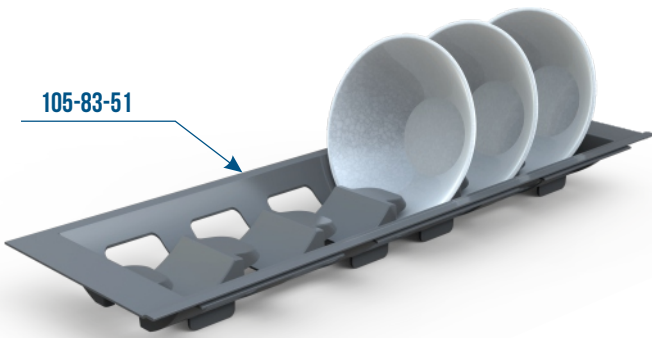
ÜRÜN VİDEOSU İÇİN
KODU TARATINIZ.
SCAN CODE FOR
PRODUCT VIDEO.

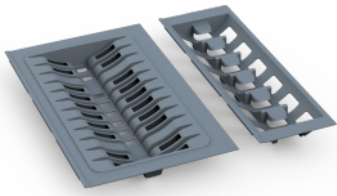
ORDER CODE	270 MODULE	290 MODULE
105-83-68		x 4
105-83-69	x 1	x 3
105-83-67	x 2	x 2

for module 120

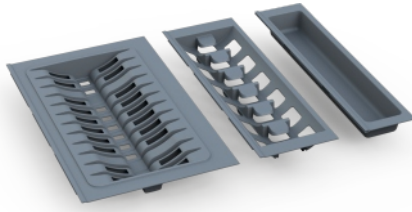


TRAY BOND
BOWL TRAY

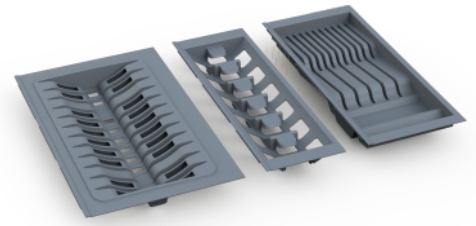




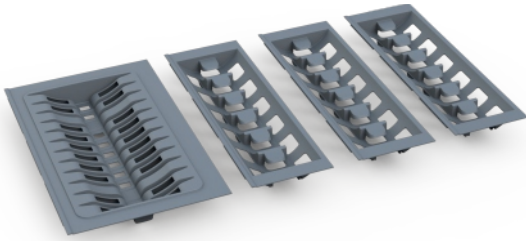
for module 50



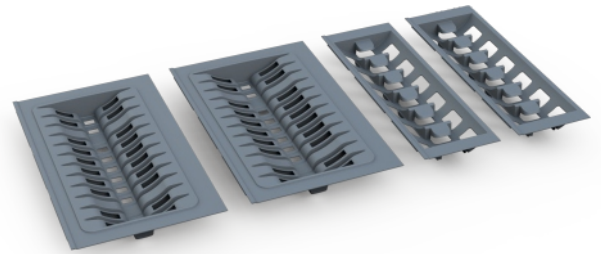
for module 60



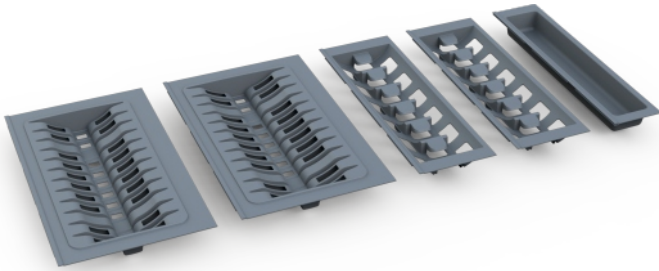
for module 70



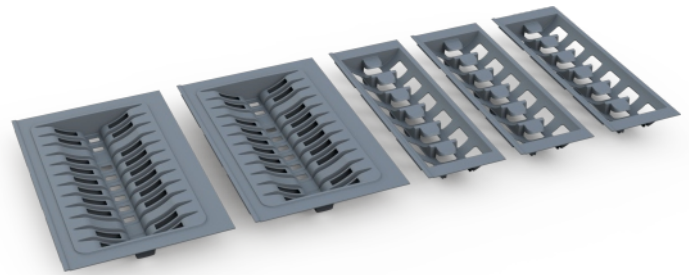
for module 80



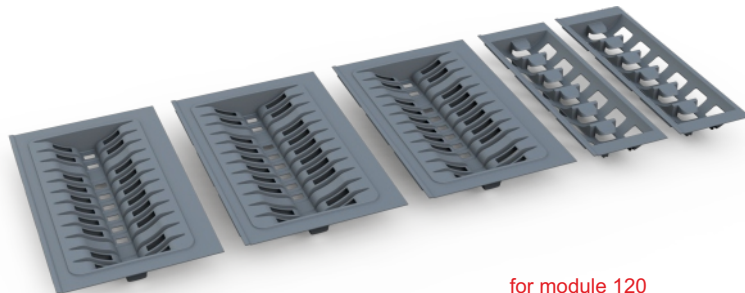
for module 90



for module 100

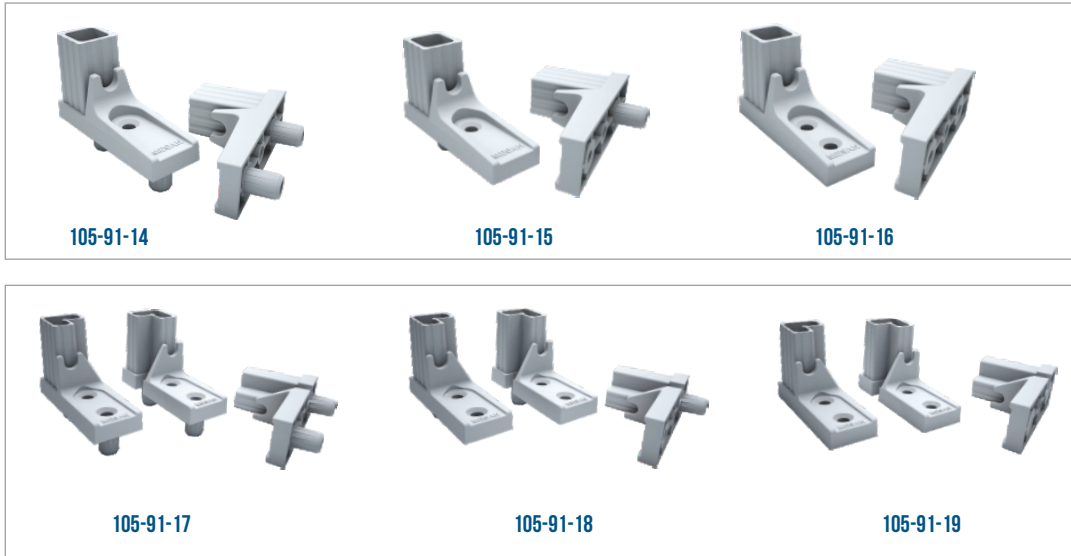


for module 110

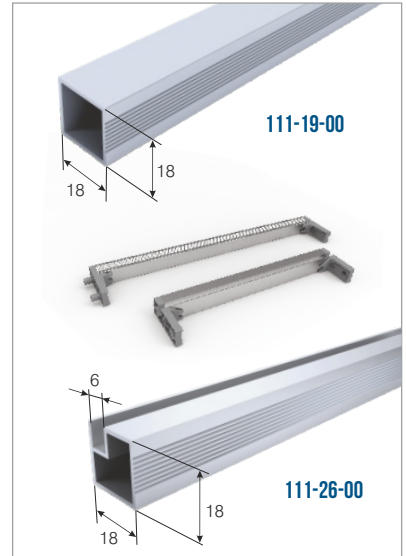


for module 120

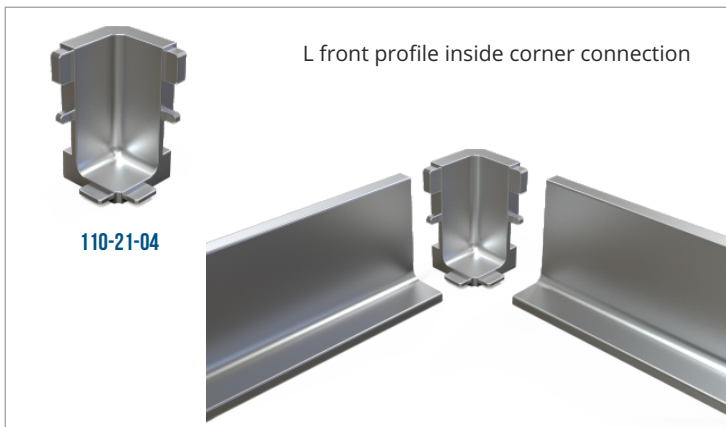
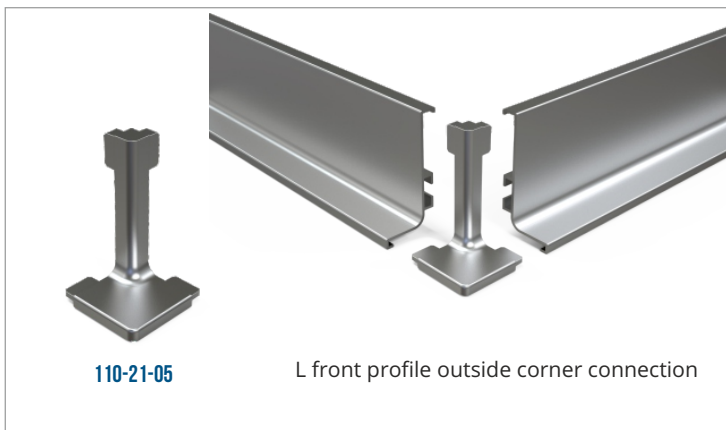
SINK UNDER WORKTOP SUPPORT BAR, BAR HOLDER



SINK UNDER WORKTOP SUPPORT BAR



ALUMINIUM FRONT PROFILE



CABINET HANGING BRACKET

Load Capacity 100 Kg

Thickness 2,5mm Thickness 2mm

105-02-13 **105-02-40** **105-02-14** **105-02-39**
With Assembly Set With Assembly Set

105-02-43

Load capacity 75 kg

Thickness 2mm

105-02-42 **105-02-41**
With Assembly Set

105-02-47

Thickness 2mm

105-02-44 **105-02-45**
With Assembly Set

new

Load capacity 100 kg

105-02-28

105-03-20

105-03-21 **102-91-17**

REGISTERED PATENTED 2021 / 17266

105-02-26 **105-02-24**

Load capacity 100 kg

105-02-25

REGISTERED PATENTED 2016 / 08413

105-02-18 **105-02-19**
Left Right

Load carrying capacity (1 set R+L) 75+75= 150 kg

105-02-04 Right **105-02-06** Right
105-02-03 Left **105-02-05** Left

102-05-06 **105-02-34** **105-02-35**
Ø10x10 plastic dowel with dowels

105-02-37 **105-02-36**
Right Left

new

CREOX
Cabinet Hangers

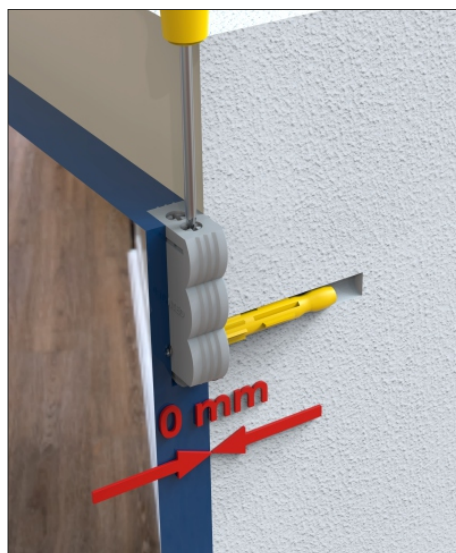
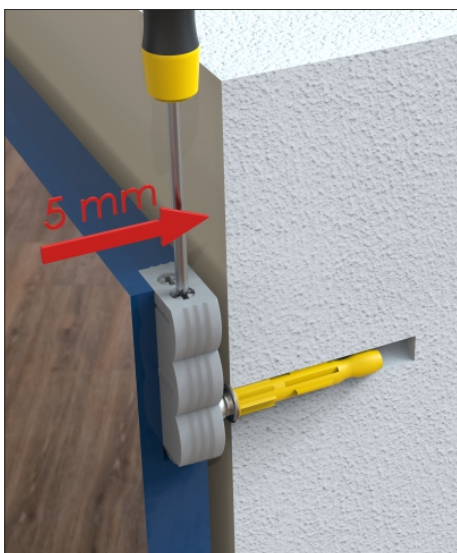
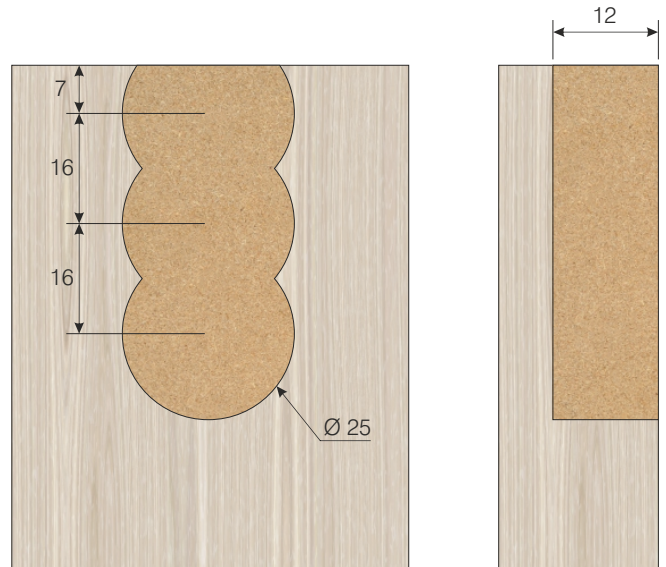
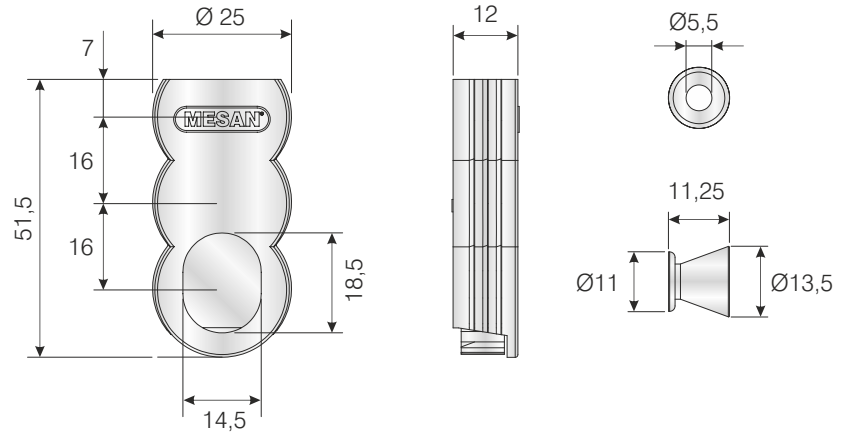
Load carrying capacity (1 set R+L) 75+75= 150 kg

105-02-33
Thickness 1,5 mm

105-02-01
Thickness 1,2 mm

105-02-02
Thickness 1,5 mm

DAMPER PANEL AND FRAME HANGER



 <p>105-03-10 103x33x2 mm</p>	 <p>105-03-26 100x37,5x2 mm</p>	 <p>105-03-08 100x34,5x2 mm</p>
<p>105-03-09 1,8 mm</p> <p>105-03-15 2,5 mm</p>  <p>54x35x1,8mm</p>	<p>105-03-14 1,8 mm</p> <p>105-03-16 2,5 mm</p> 	 <p>105-03-25 100x34,5x2 mm</p>
 <p>105-03-01 2400x33x2 mm</p>	 <p>110-09-12 Suspension Rail Cover 2400x30x6mm</p>	 <p>105-03-24 2000 x 35 x 1,2 mm</p> <p>Breakable</p>

 <p>105-03-03 Ø5x69x20mm</p>	 <p>105-03-07 Ø6x70x20,5</p> <p>Philips PH 2 screwdriver</p>	 <p>Ø14mm Ø20mm Ø30mm</p> <p>105-03-04 105-03-05 105-03-06</p>
 <p>105-03-23 Ø5x69x14mm</p>	 <p>105-03-27 Ø6x55x12mm</p> <p>Pozidrive PZ 2 screwdriver</p>	 <p>105-03-22</p>



MESbin

105-71-03 **105-71-04**
11 LT 6 LT



105-71-01
5 LT

Ø220

245



105-71-06
With bracket and strainer



105-71-07



2015 / 01834



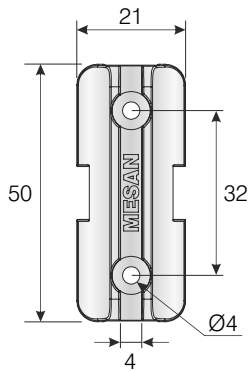
2014 / 06993



SPLIT DRAWER ORGANISER

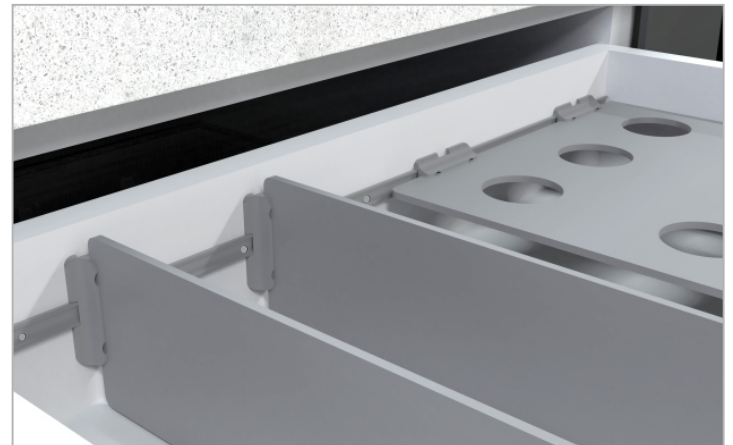


105-91-36

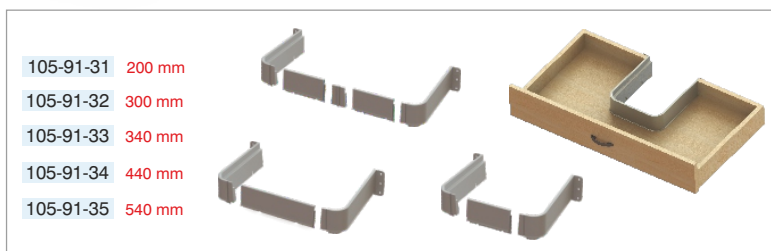
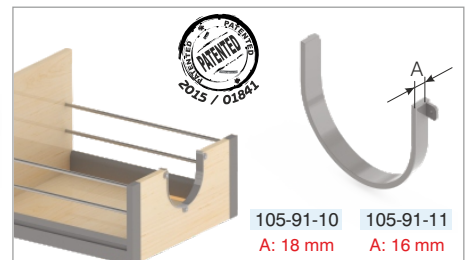
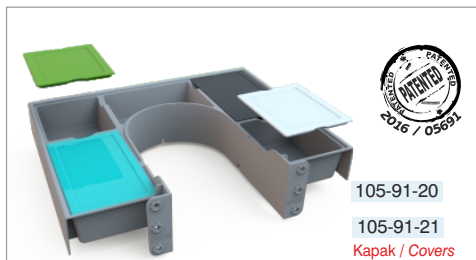


105-91-37
L: 535 mm

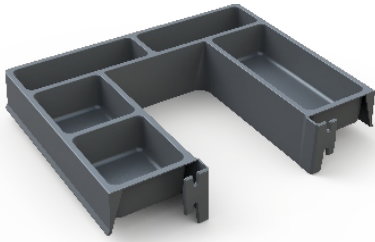
105-91-38
L: 375 mm



RECTANGULAR SIPHON PLASTIC COVER

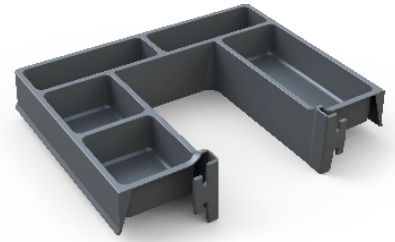
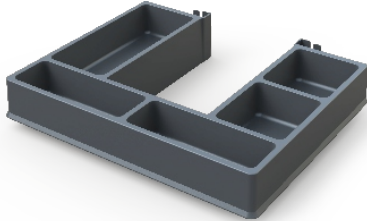


ELIT SIPHON PLASTIC COVER WITH DIVIDERS



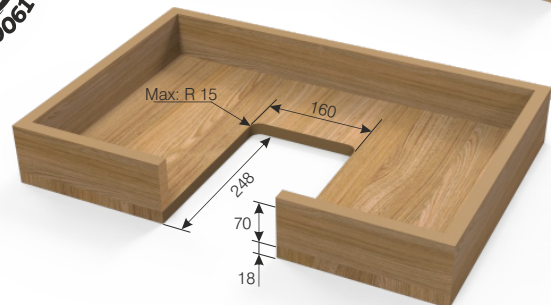
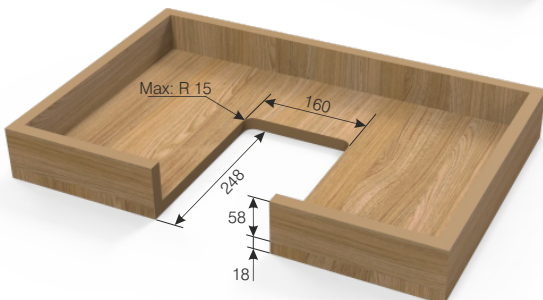
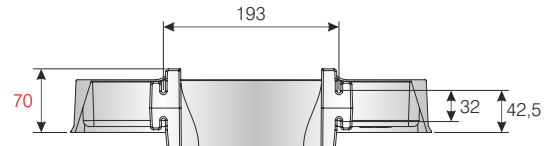
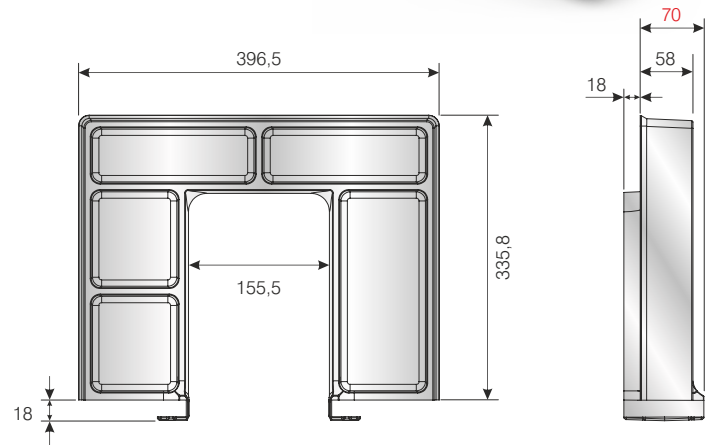
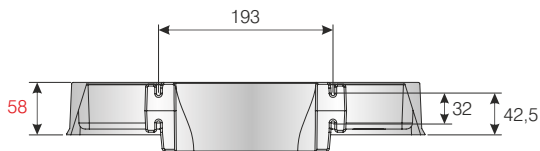
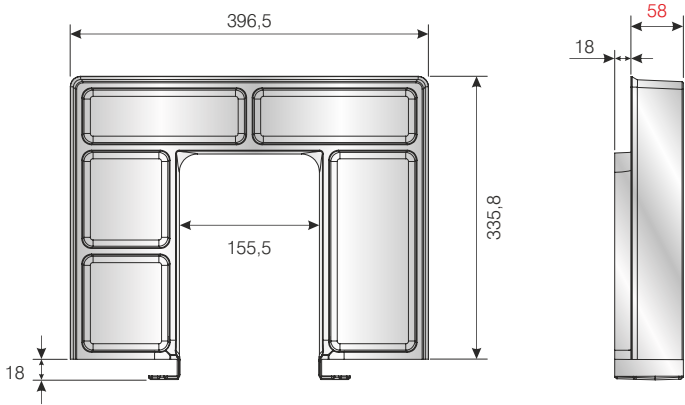
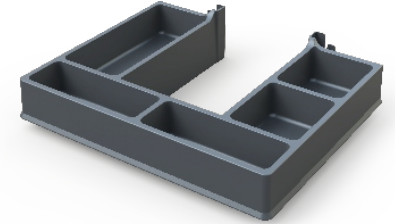
Elit K58

105-91-26
58 mm



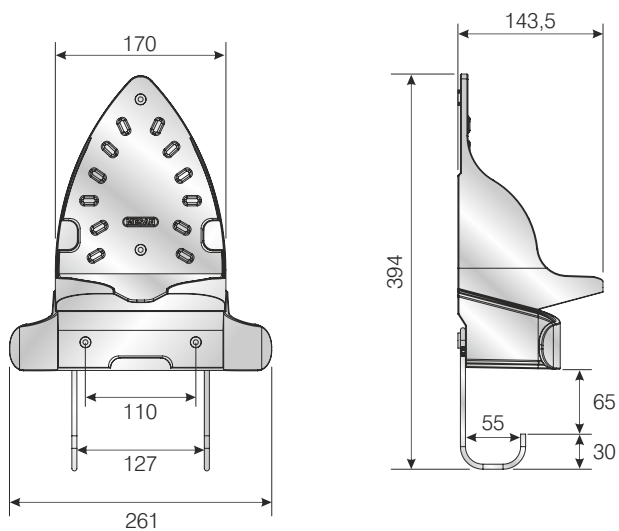
Elit K70

105-91-27
70 mm

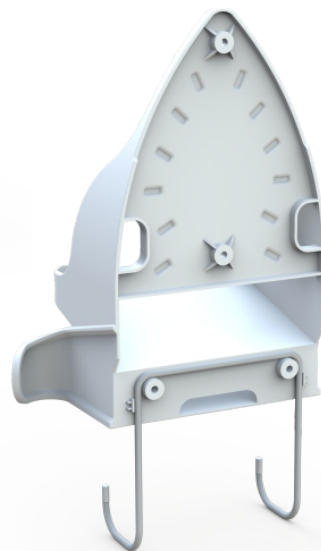


IRONIX

IRON AND IRONING BOARD HOLDER



105-71-09



LAUNDRY STORAGE PLASTIC



Elite and Practical Plastic Shoe Rack
Shocab¹

Shocab Single Plastic Shoe Rack

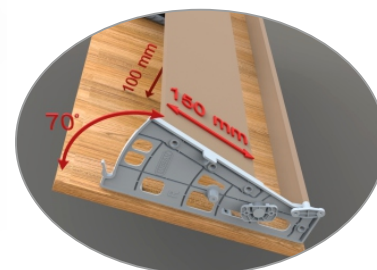


107-01-06

107-01-09
With Pin

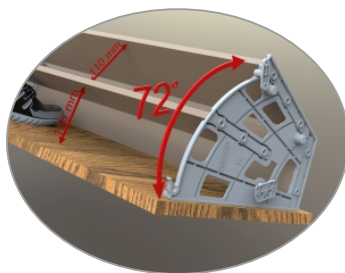


Min: 160 mm



Elite and Practical Plastic Shoe Rack
Shocab²

Shocab Double Plastic Shoe Rack



107-01-07

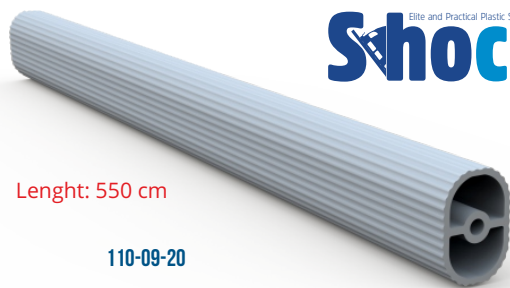
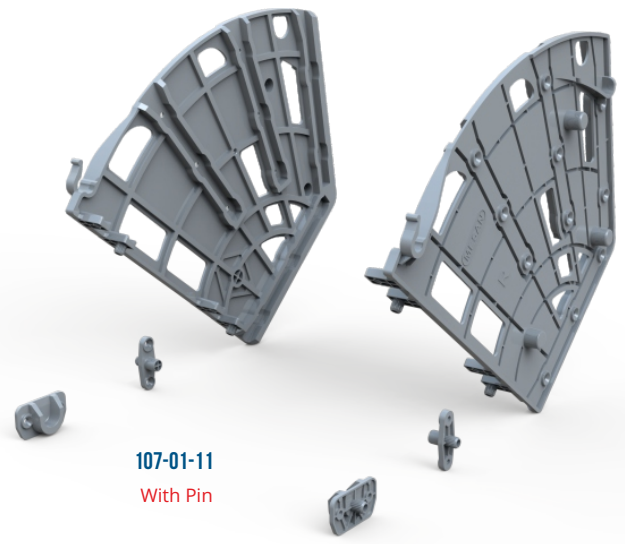
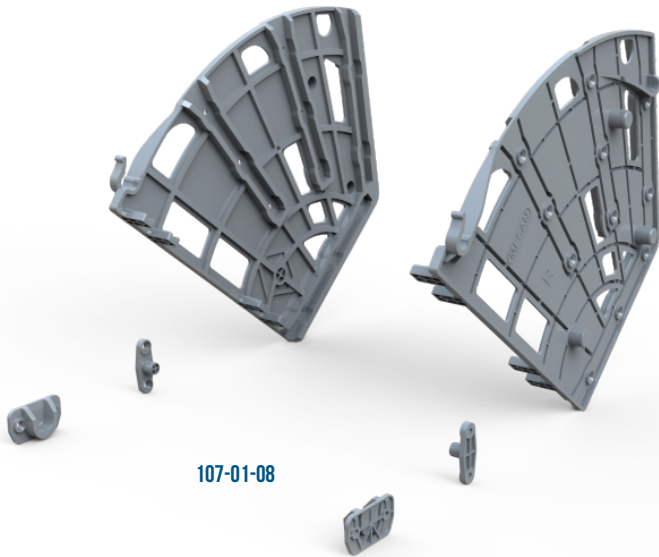
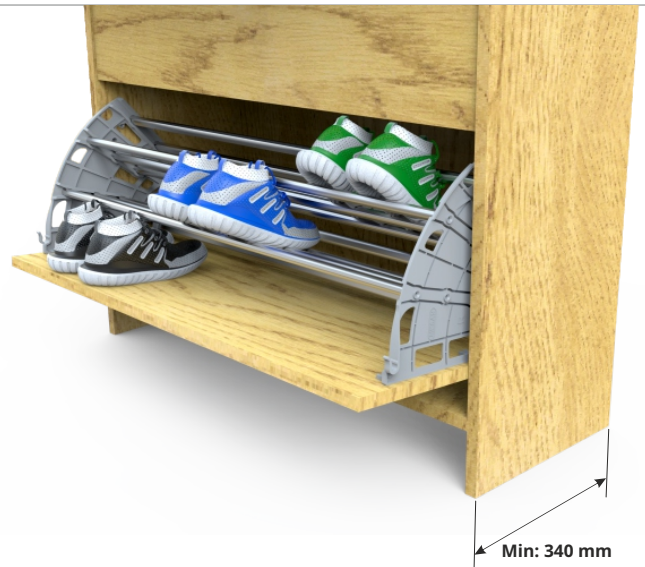
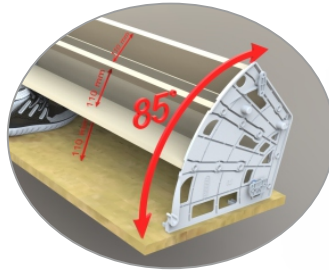
107-01-10
With Pin



Min: 270 mm

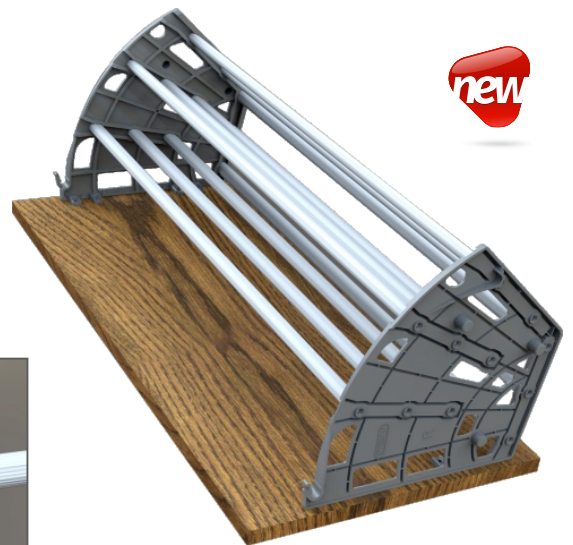
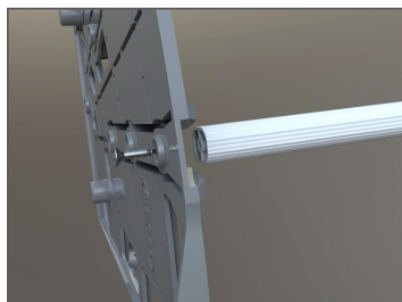
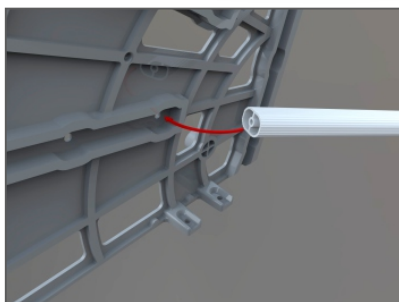
Elite and Practical Plastic Shoe Rack
Shocab³

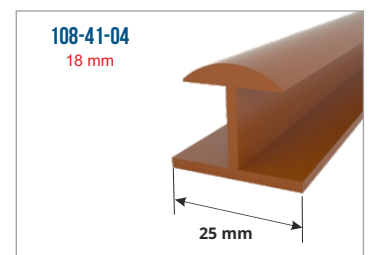
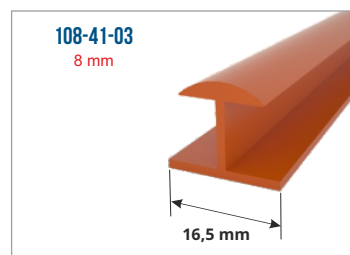
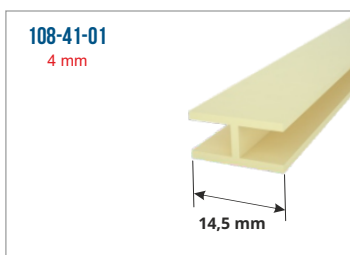
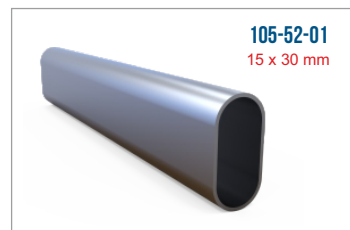
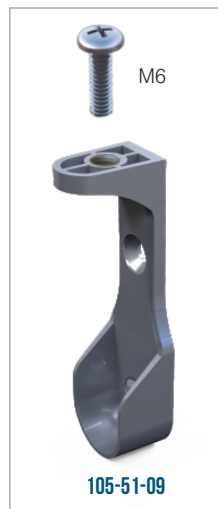
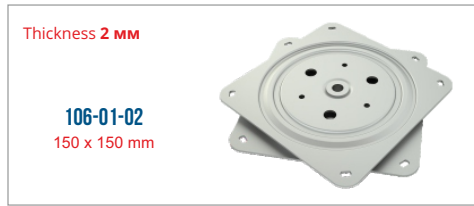
Shocab Triple Plastic Shoe Rack



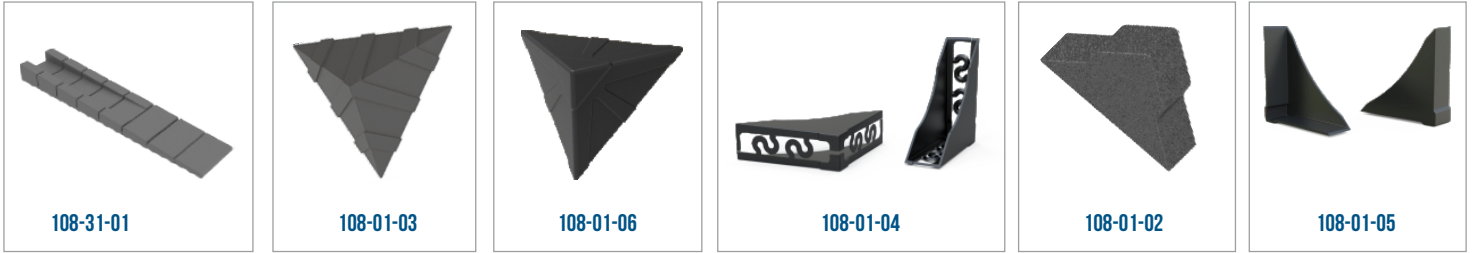
Elite and Practical Plastic Shoe Rack
ShocabProfile

Shocab Plastic Profile

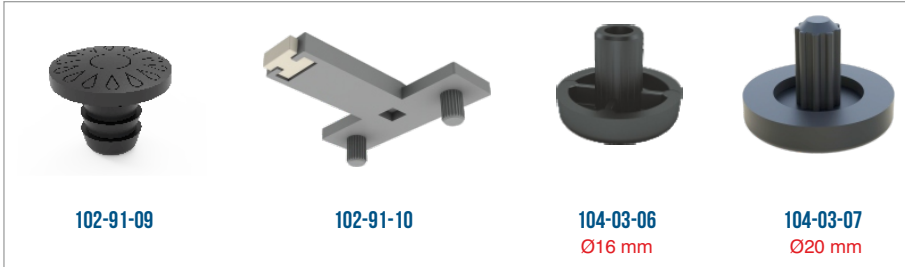




Protector



Stoppers



Plastic Wedge



Door stopper with soft bumper



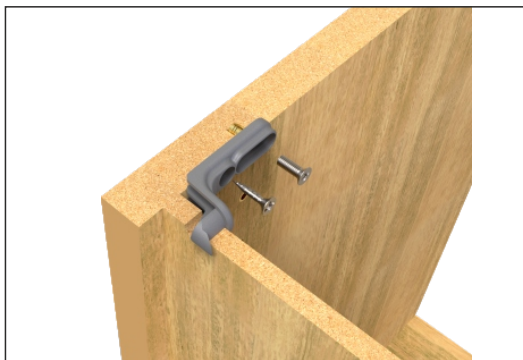
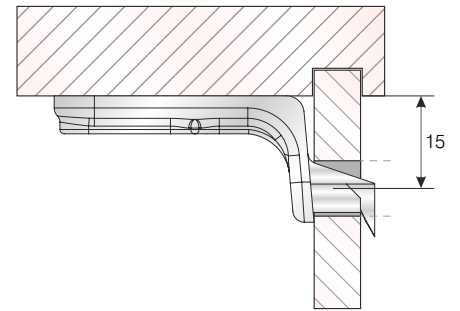
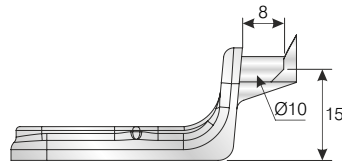
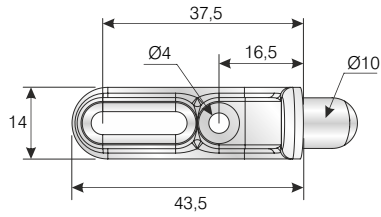
Plastic Wedge



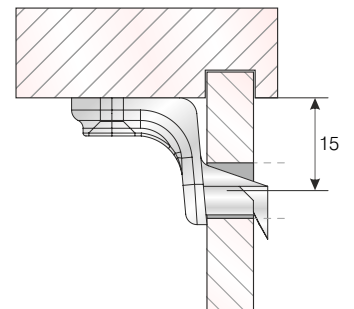
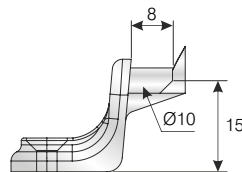
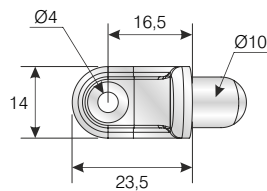
Plastic rear panel connector

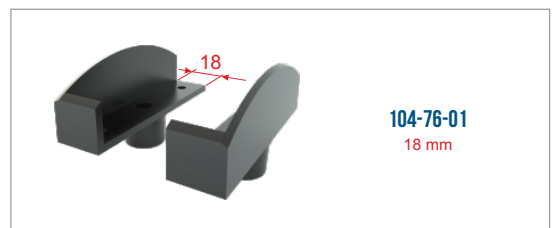
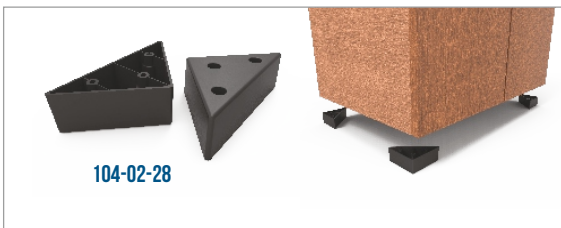
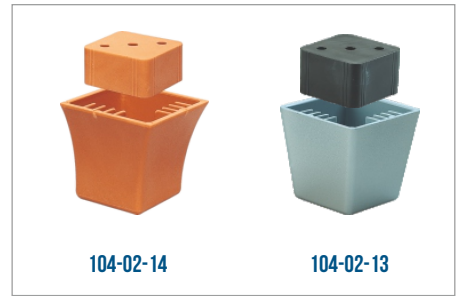
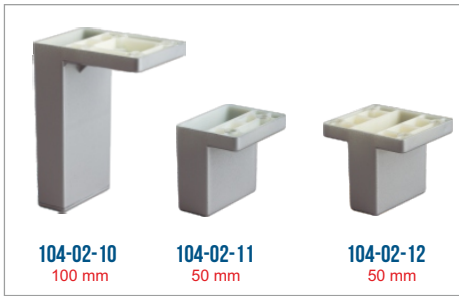
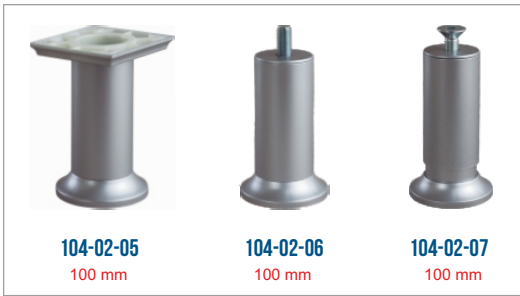


BIND Rear Panel Fixing (Long)



BIND Rear Panel Fixing (Short)





facebook.com/mesanplastik



twitter.com/mesanplastik



linkedin/mesan-plastik



instagram.com/mesanplastik



youtube.com/mesanplastik

Aluminium Legs



Zamac and Plastic

32x32 mm

with plastic adapter with zamac adapter

104-41-16
70 - 100 - 120
150 - 200 mm

104-41-06
70 - 100 - 120
150 - 200 mm



32x32 mm

104-41-11
70 - 100 - 120
150 - 200 mm



M8 - M10

104-91-01
M8

104-91-02
M10



53x53 mm

104-45-02
410 - 710mm



104-91-03
For 50x50mm leg
(Thickness 2mm)



32x32 mm


104-41-01
70 - 100 - 120 - 150 - 200 mm

32x32 mm




Ø32 mm

104-48-07
70-100-120-150-200 mm



Ø32 mm

104-48-01
100-150-200-250-300-350 mm



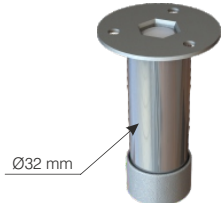
Ø32 mm

104-22-07 h: 100 mm
104-22-08 h: 150 mm
104-22-09 h: 200 mm
104-22-10 h: 250 mm
104-22-11 h: 300 mm
104-22-12 h: 350 mm



Ø32 mm

104-22-04 h: 100 mm
104-22-05 h: 150 mm
104-22-06 h: 200 mm



Ø32 mm

104-22-01 h: 100 mm
104-22-02 h: 150 mm
104-22-03 h: 200 mm



25x25 mm

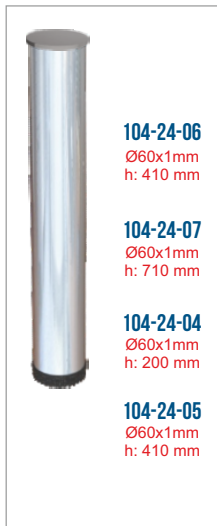
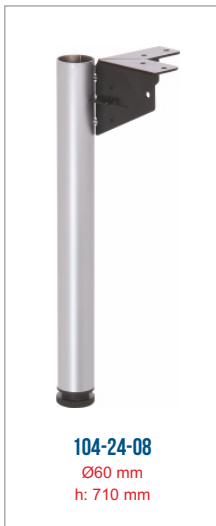
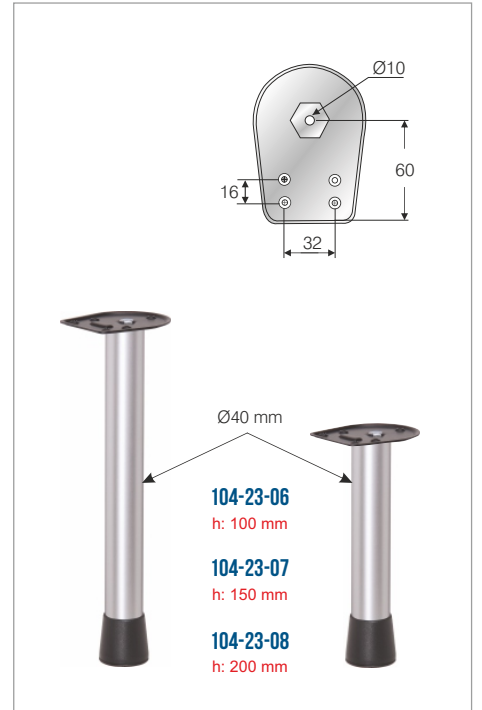
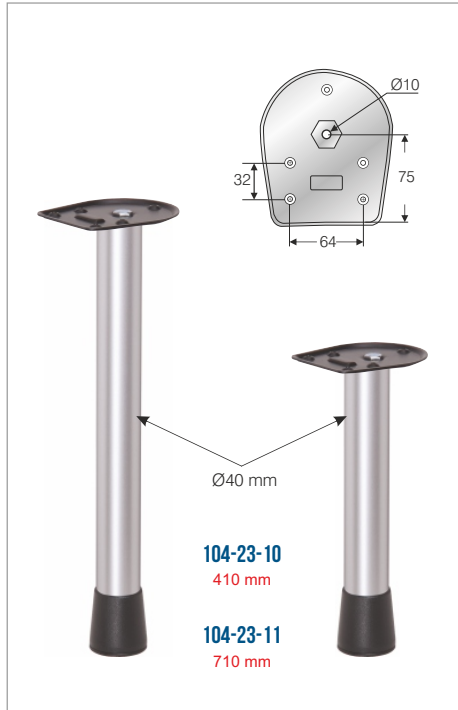
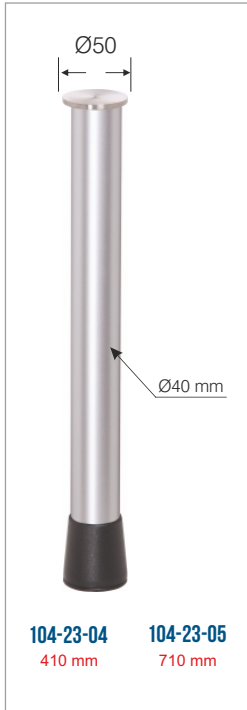
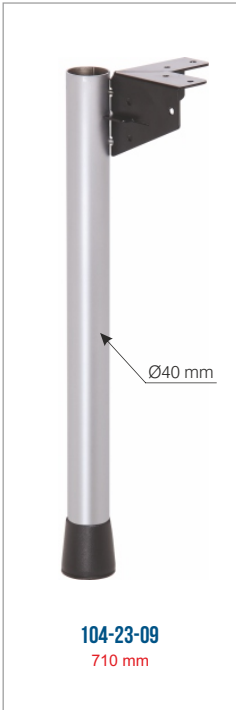
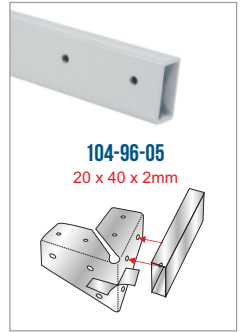
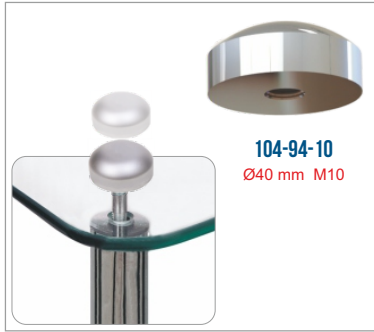
104-21-01 h: 100
104-21-02 h: 150
104-21-03 h: 200
104-21-04 h: 300
104-21-05 h: 400



Ø32 mm

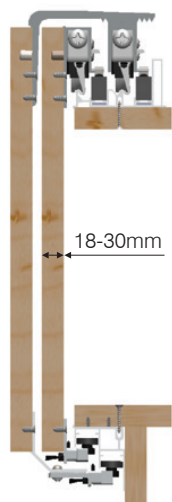
104-22-13 h: 100
104-22-14 h: 150
104-22-15 h: 200
104-22-16 h: 300
104-22-17 h: 400

Metal Legs



SLIDING DOOR SYSTEMS

ALFA01 | A

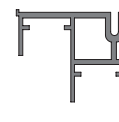


101-49-01



111-04-25

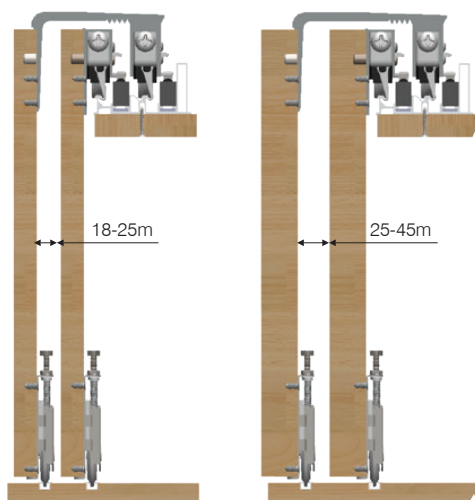
111-04-30



111-02-25

111-02-30

ALFA05 / ALFA06 | A



101-49-01



111-03-25

111-03-30



111-09-25

111-09-30



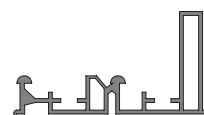
111-01-25

111-01-30



111-10-25

111-10-30



111-04-25

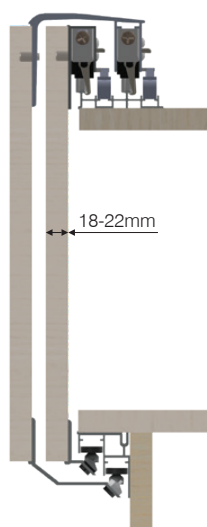
111-04-30



111-11-25

111-11-30

ALFA11 | A



101-49-05



111-32-20

111-32-25

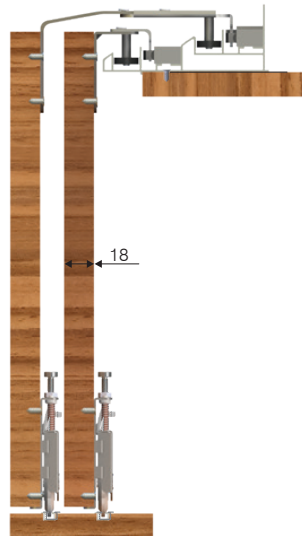


111-02-25

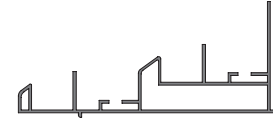
111-02-30

SLIDING DOOR SYSTEMS

BETA05 | B



101-49-01



111-06-25 111-06-30



111-03-25 111-03-30

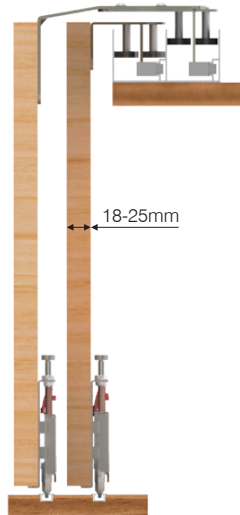


111-01-25 111-01-30



111-09-25 111-09-30

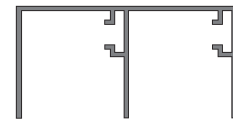
BETA06 | B



101-49-02



102-91-52



111-07-25 111-07-30



102-91-53



111-03-25 111-03-30

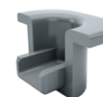
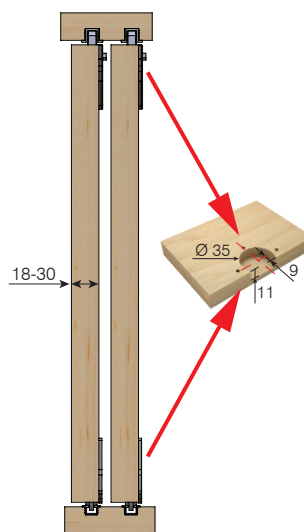


111-01-25 111-01-30

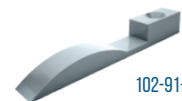


111-09-25 111-09-30

DELTA11 | D



102-91-52



102-91-54



102-91-53



111-51-20



AL220BT



AL500BT



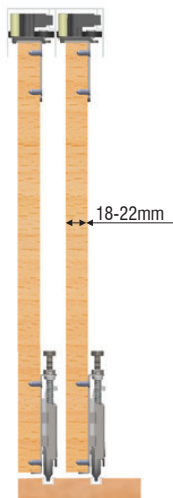
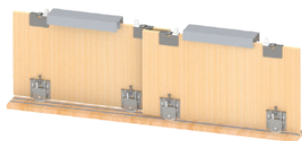
AL129BT



AL550BT

SLIDING DOOR SYSTEMS

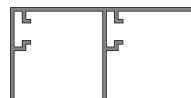
ZETA01 | Z



101-49-02



102-91-52



111-07-25



111-07-30



111-03-25
111-03-30



102-91-53

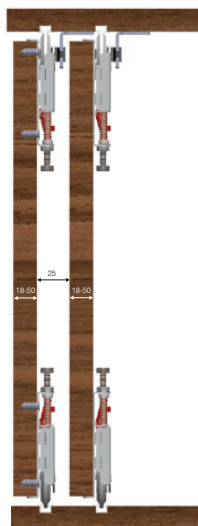


111-01-25
111-01-30



111-10-25
111-10-30

ZETA02 | Z



101-49-02



102-91-52



111-03-25
111-03-30



111-09-25
111-09-30



102-91-53



111-01-25
111-01-30

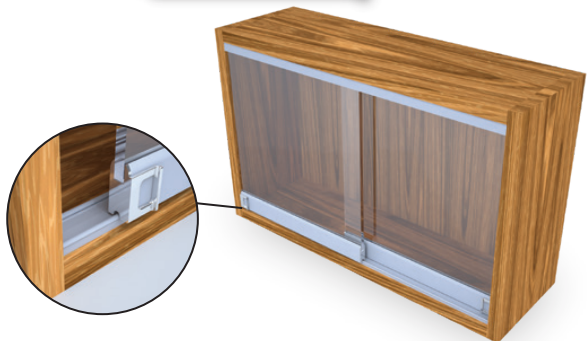


111-10-25
111-10-30



111-11-25
111-11-30

GAMMA01 | G



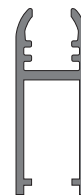
111-14-00



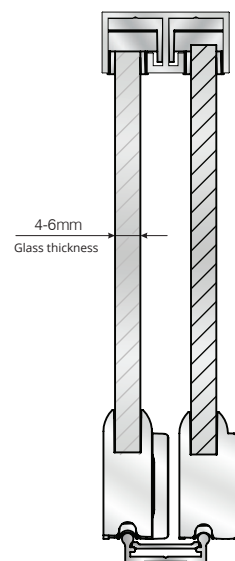
111-16-00



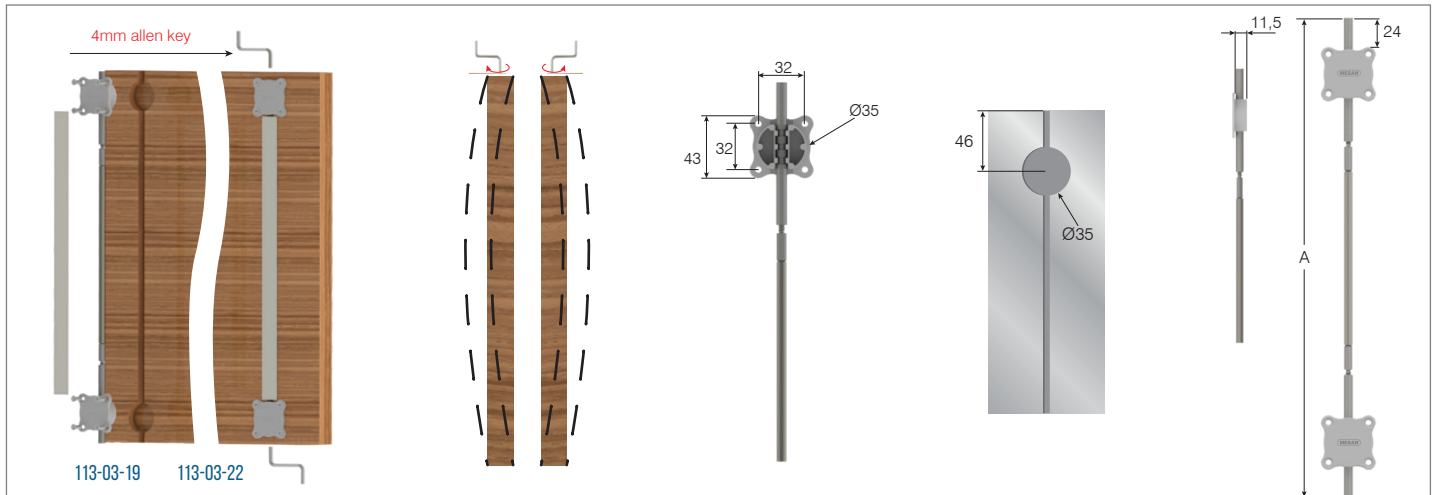
11-15-00



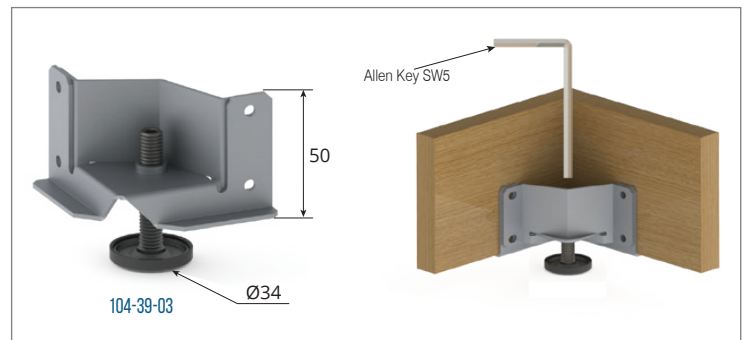
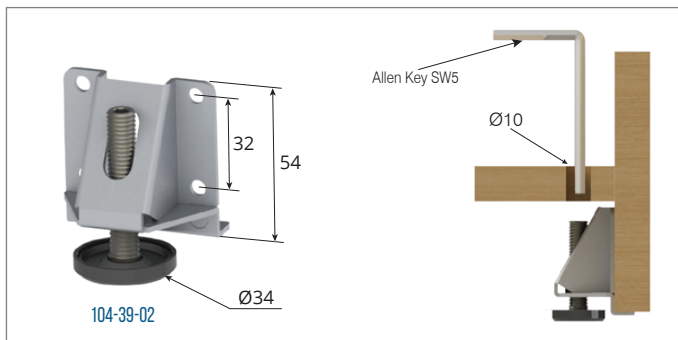
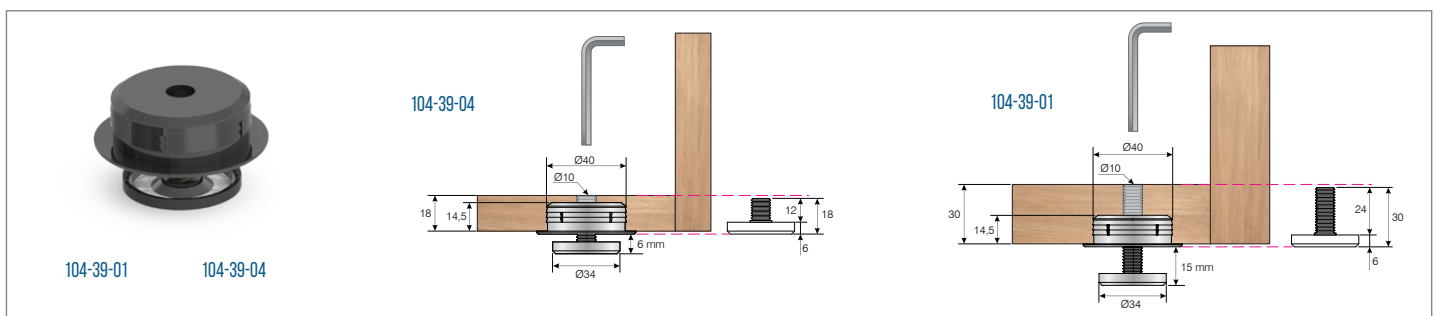
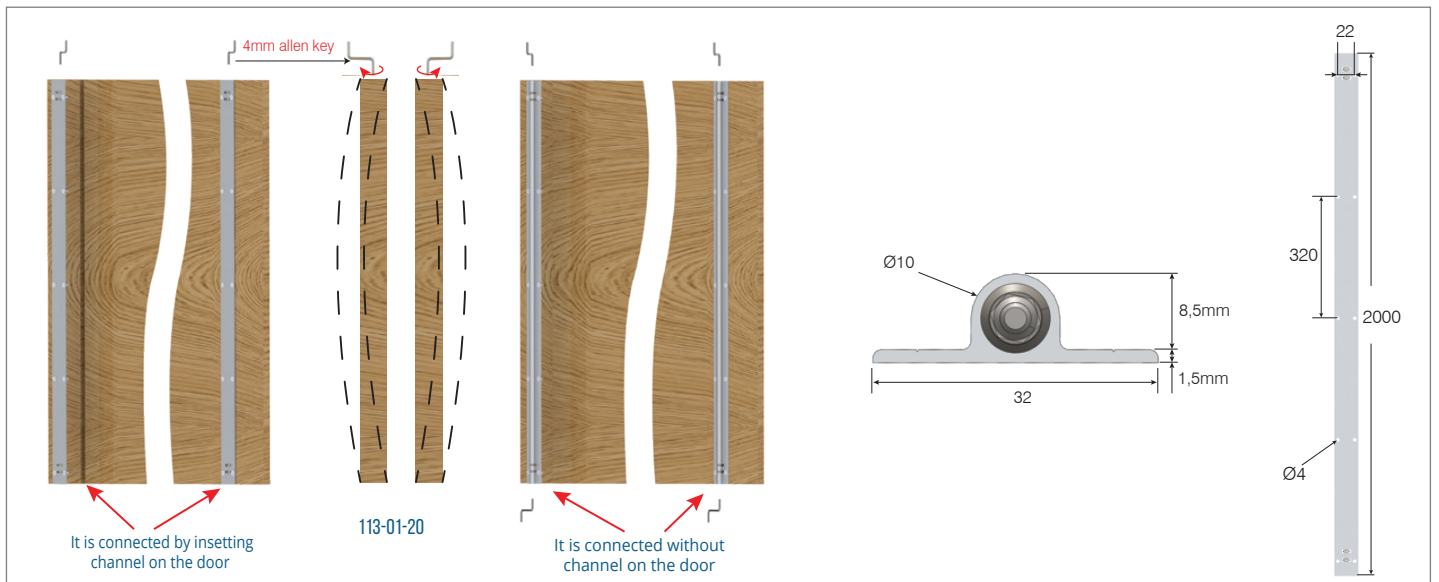
111-17-00



Metal wardrobe straightener



Aluminium wardrobe straightener double-sided





We have been serving our industry for 33 years with our knowledge of production without sacrificing quality.





We produce with the latest technological methods and techniques.

As an innovative company that is constantly evolving, we manufacture our automation systems according to our needs.





we take our job seriously...

We produce using the latest high-tech machines
and first quality raw materials.





www.mesan.com.tr
www.mesan.istanbul

2023 PRODUCT BROCHURE